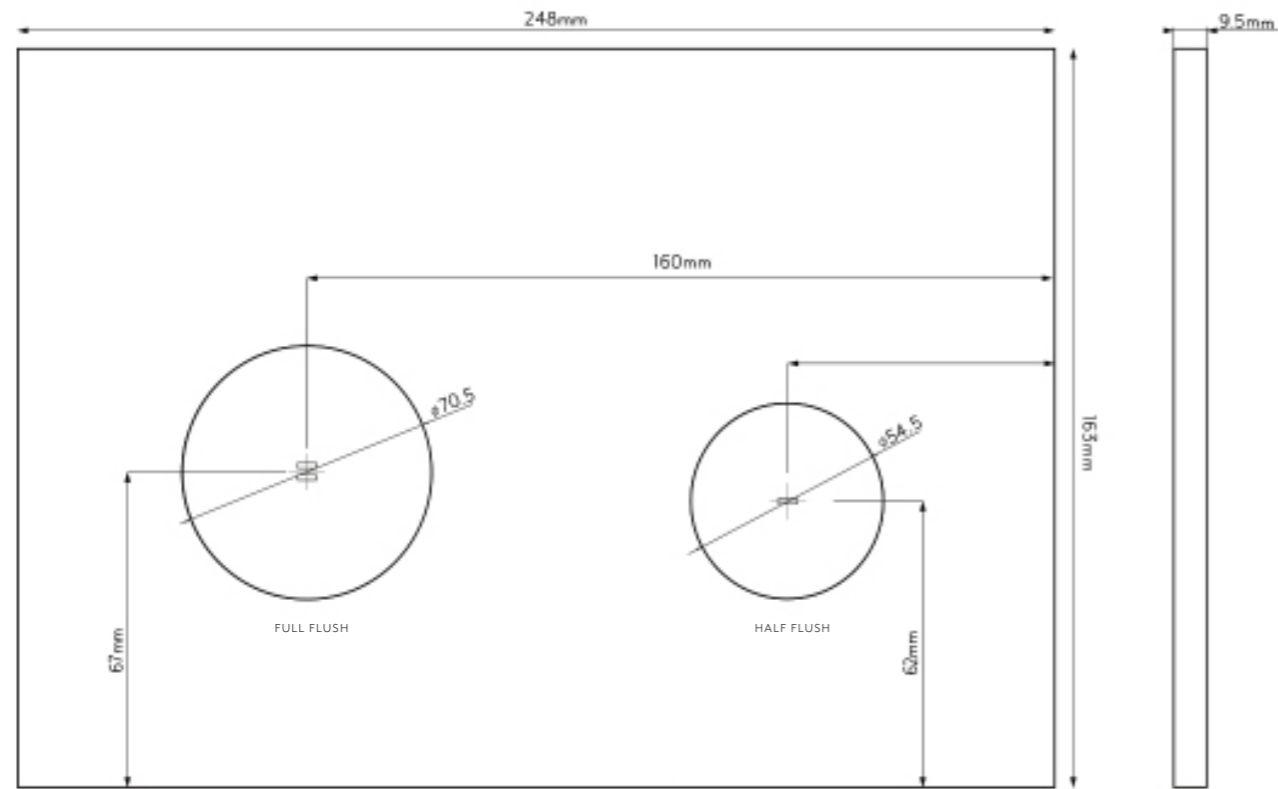




ZAAHA TOILET BUTTON



SPECIFICATIONS

RECOMMENDED USE

Domestic, Commercial

COLOUR AVAILABILITY



MATERIAL

ABS Body & Stainless Steel Shell

CONSTRUCTION

PVD | ABI's Heat Shield - Industrial Grade Electro-coating system (Physical Vapour Deposition).

INSTALLATION

Wall Mounted (connected to ABI In-Wall Cistern)

WARRANTY

Structure: 5 years | Finish: 2 years

WATERMARK

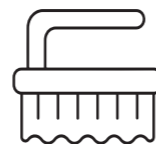
ABI Cistern - WMKA20080



Regularly clean with mild liquid detergent or soap and water



DO NOT use cream cleaners or bleach. These substances are abrasive

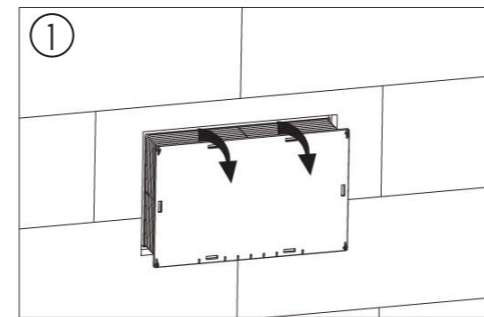


DO NOT use cleaning pads with abrasive surfaces as this may scratch the material

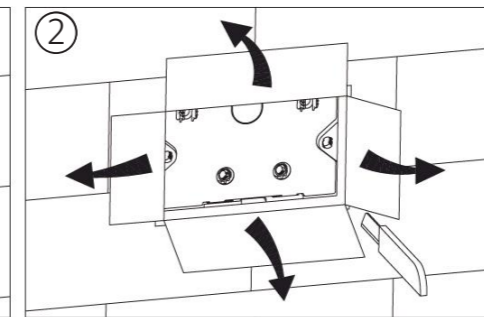
Disclaimer: Products in this specification manual must by regulation be installed by licensed and registered trade people. The manufacturer/distributor reserves the right to vary specifications or delete models from their range without prior notification. Dimensions are nominal measurements only. Dimensions and set-outs listed are correct at time of publication however the manufacturer/distributor takes no responsibility for printing errors. All ABI Products are designed in Australia. Copyright ABI Interiors 2019. WWW.ABIINTERIORS.COM.AU

INSTALLATION INSTRUCTIONS

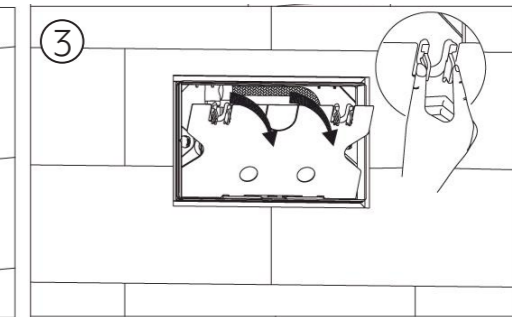
ABI will not be held responsible for any damage caused by leakage or faulty installation. Please ensure proper care is taken during installation to avoid scratching the Stainless Steel.



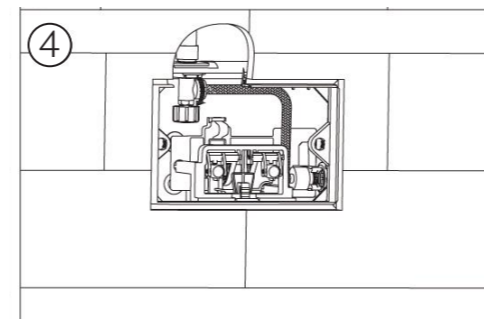
1 Cut plastic tabs from button housing



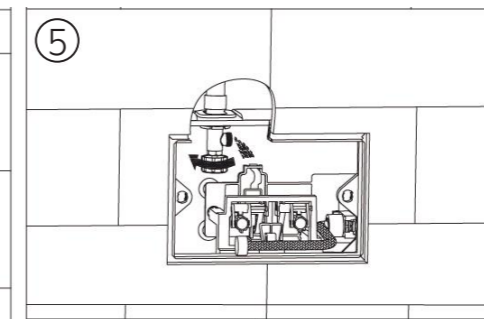
2 Fold back and trim



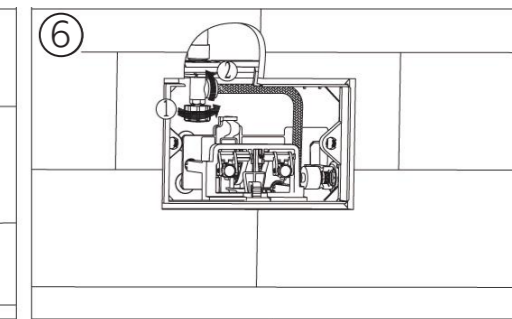
3 Remove cistern plate by squeezing clips



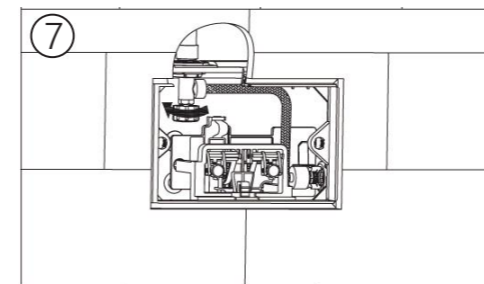
4 Remove hose by twisting anti-clockwise



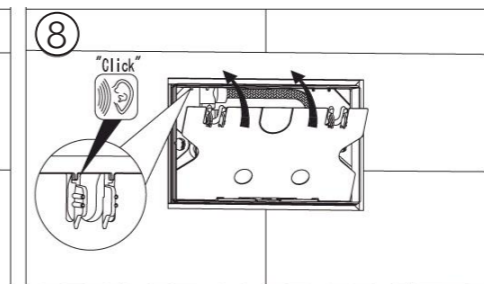
5 Turn valve on and flush out debris



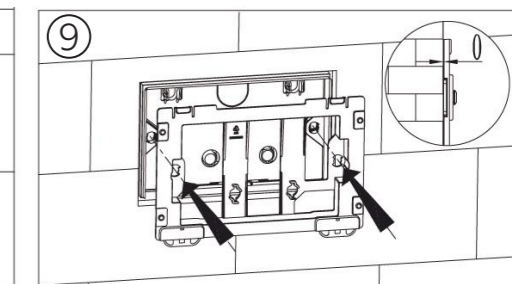
6 Turn valve off and reconnect hose



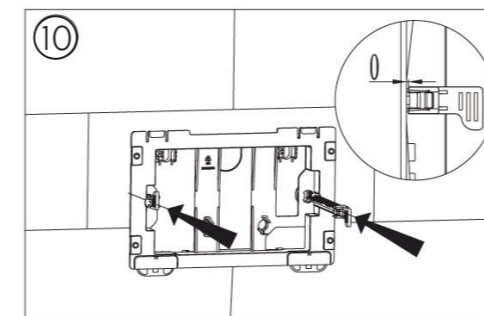
7 Turn on and check for leaks



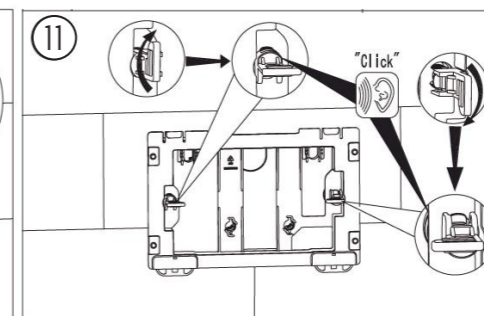
8 Refit cistern plate - this should click into place



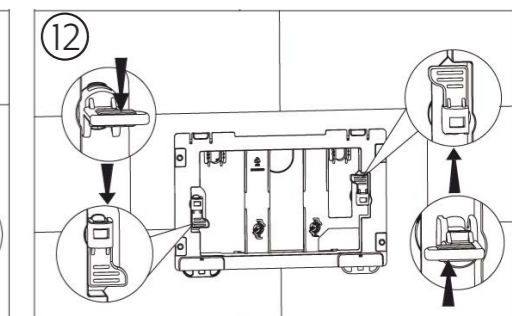
9 Fix internal button plate (3). Tip: Hold the plate horizontally - facing upwards. Drop the lock threads (4) through the holes to allow them to spin freely.



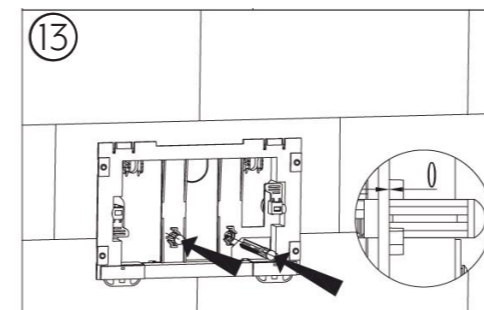
10 Hold button plate vertically and fit lock threads (4) into the cistern plate holes



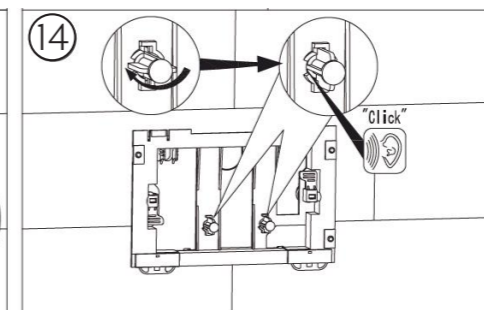
11 When plate (3) is in place, lock threads in by turning clockwise until they click.



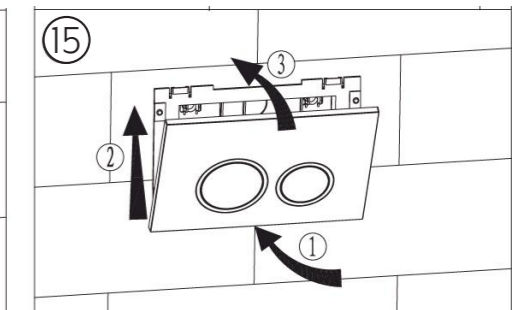
12 Fold tabs in (this allows the cover to sit flush)



13 Fit white and grey threads (5) into outlet flush valve by placing through holes in Internal Plate (3)



14 Turn threads clockwise until they click



15 Fit button face plate (6) by holding onto bottom of internal plate (3) pulling upwards and clicking top in