

**Note:** Dimensions are nominal measurements only

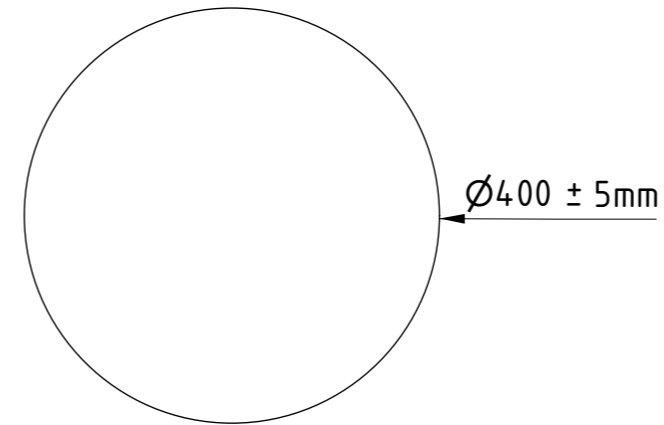
## SPECIFICATIONS

RECOMMENDED USE	Domestic, Commercial
COLOUR AVAILABILITY	
MATERIAL	Composite Black Granite
COMPOSITION	80% Granite Quartz/ 20% Acrylic Resin
INSTALLATION	Undermount, Top Mount
OVERFLOW	No
WARRANTY	Structure: 25 years
LITRE	19 Litres

**NOTE: THIS PRODUCT DOES NOT INCLUDE A BASKET WASTE**

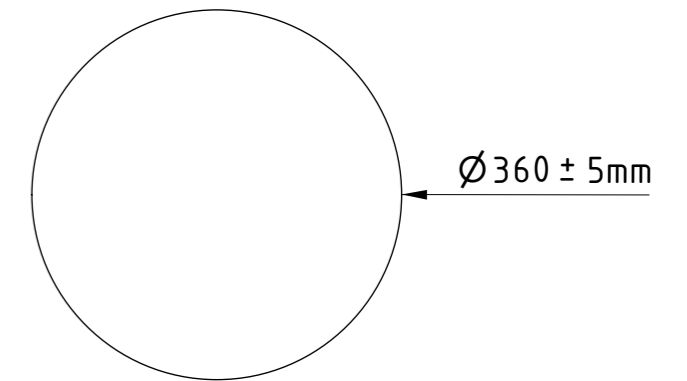
## CUT-OUT TEMPLATES

### TOPMOUNT INSTALLATION



**Note:** Dimensions are nominal measurements only

### UNDERMOUNT INSTALLATION



## INSTALLATION GUIDE - UNDERMOUNT SINK

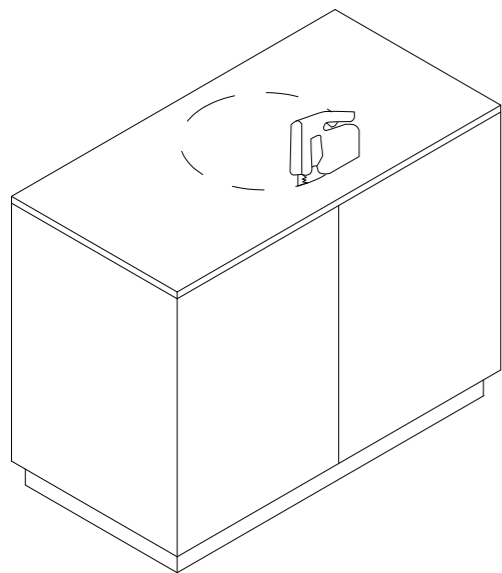
Note: This product must be installed by a licensed tradesperson. This is a general installation guide - there are many factors that are involved that can alter the installation method.



- 1 Mark out desired location of sink using the cut out template dimensions provided.

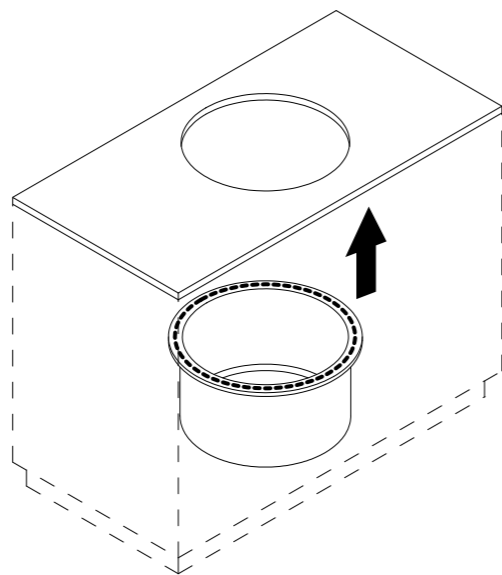
Cut out sink hole using preferred method.

**Note:** If cutting a stone benchtop it will need to be cut in a controlled environment by a licensed tradesperson as per OH&S regulations.



- 2 Clean around the edge of benchtop sink hole & perimeter of sink rim.

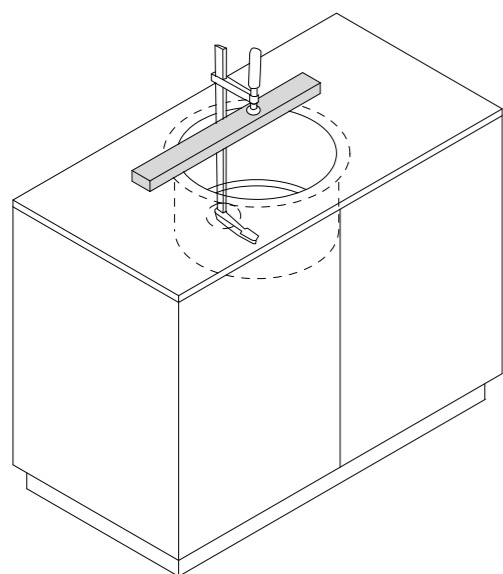
Position the sink in the cabinet below the benchtop hole. Apply adhesive sealant to the perimeter of sink rim & lift into position.



- 3 Lay a piece of timber across the benchtop hole & position in line with sink holes below.

Place clamps through the sink holes & tighten the clamps to hold the sink in place. Wipe away any excess adhesive sealant around benchtop opening.

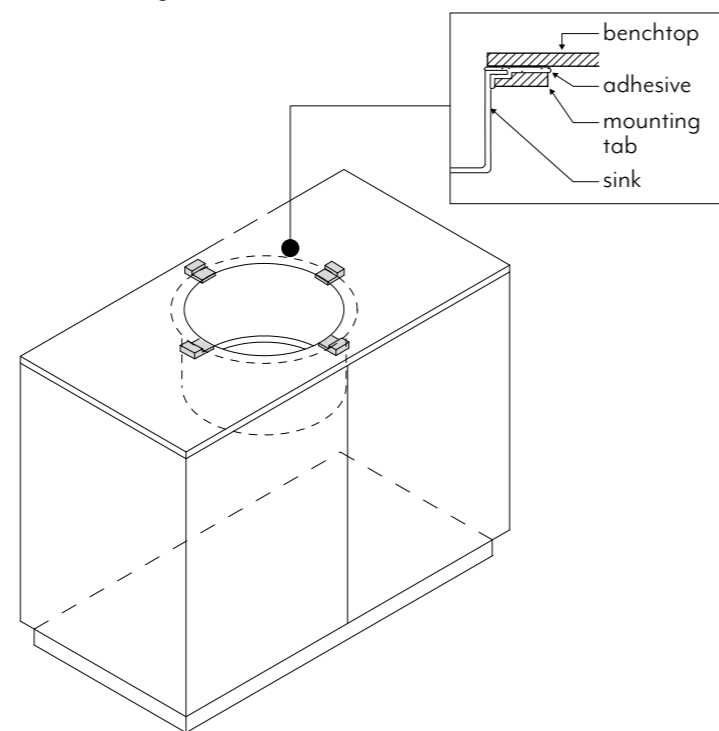
**Note:** Use rags to protect surfaces when either the clamp or timber is making contact with the benchtop or sink.



- 4 Using the benchtop material build rebated mounting tabs.

Clean around the underside perimeter of the sink & the mounting tabs.

Apply adhesive sealant to the mounting tab & fix it to the underside of the benchtop & sink rim. Repeat tabs at regular intervals. Wipe away any excess adhesive around mounting tabs.



## INSTALLATION GUIDE - TOP MOUNT SINK

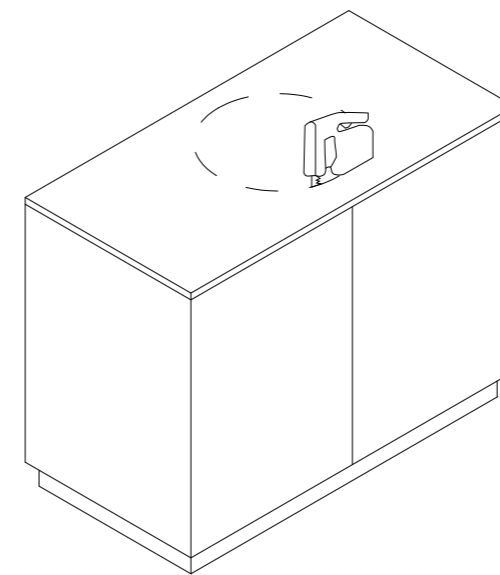
Note: This product must be installed by a licensed tradesperson. This is a general installation guide - there are many factors that are involved that can alter the installation method.



- 1 Mark out desired location of sink using the cut out template dimensions provided.

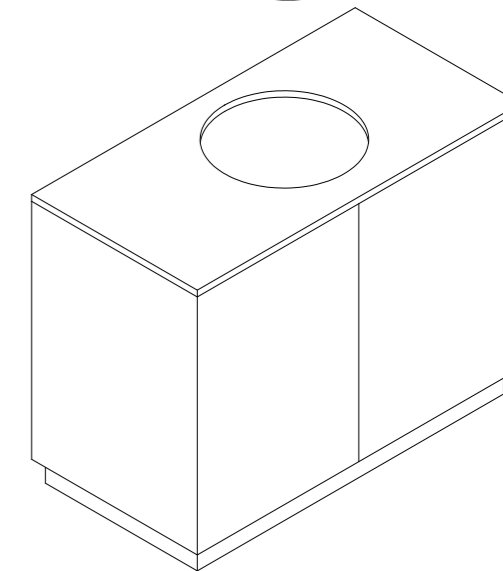
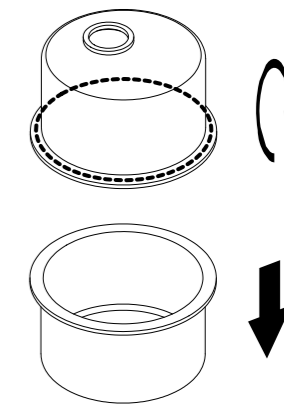
Cut out sink hole using preferred method.

**Note:** If cutting a stone benchtop it will need to be cut in a controlled environment by a licensed tradesperson as per OH&S regulations.



- 2 Clean around edge of benchtop sink hole & perimeter of sink rim.

Apply adhesive sealant to the underside perimeter of sink rim & lower into position.



- 3 Wipe away any excess adhesive sealant around sink rim.

