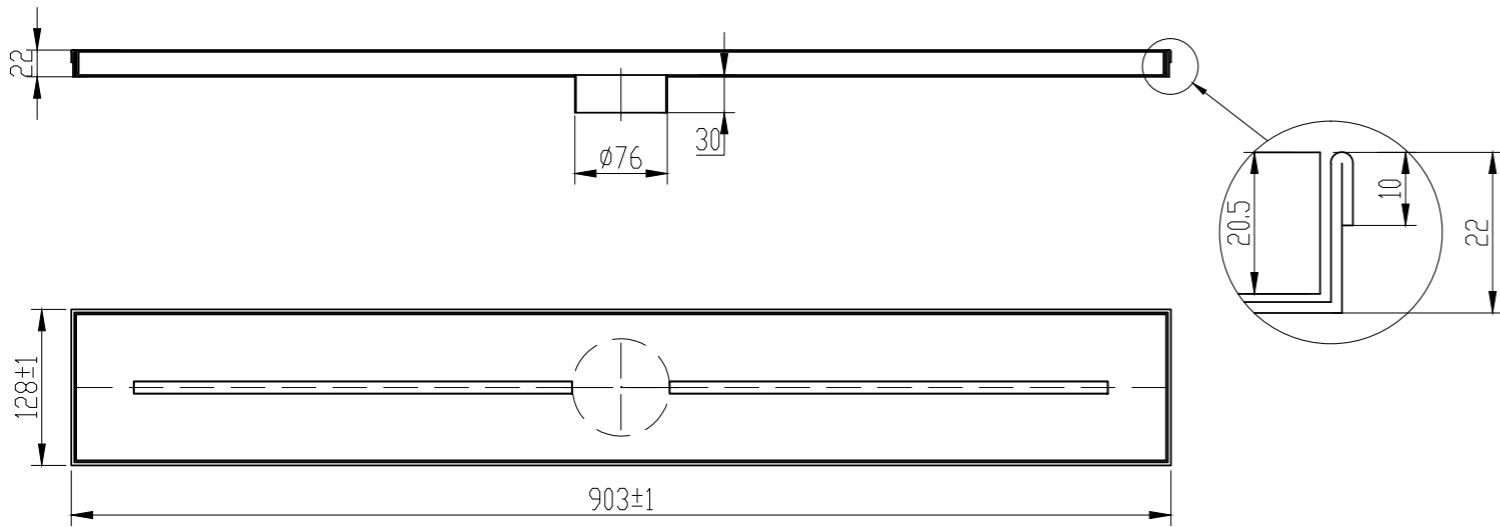




TREY SHOWER CHANNEL - 900MM

INSTALLATION GUIDE

Note: This product must be installed by a licensed trade. This is a general installation guide - there are many factors that are involved that can alter the installation method.



SPECIFICATIONS

RECOMMENDED USE

Domestic/Commercial

COLOUR AVAILABILITY



MATERIAL

Stainless Steel

OUTLET SIZE

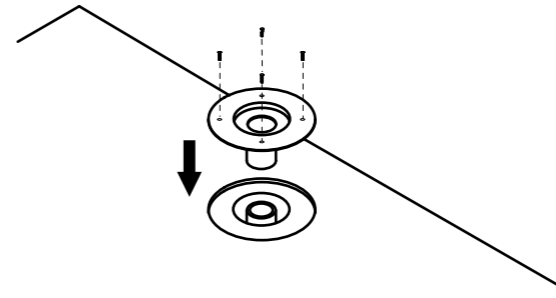
76mm - Suitable for 80mm PVC Pipe

WARRANTY

Structure: 5 years | Finish: 2 years

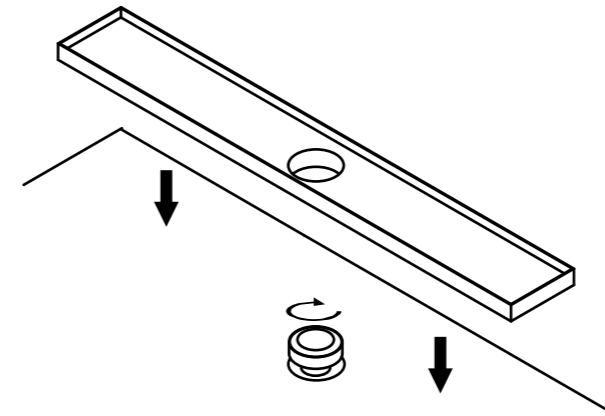
- 1 Note: The same installation principle applies to either a concrete or timber floor construction.

Allow a recess in the floor at pipe location to accommodate puddle flange, which is glued & screwed into position.

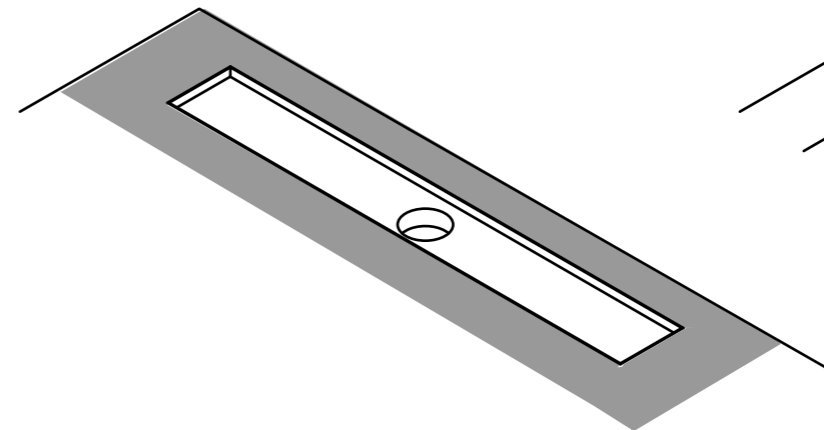


- 3 Adjust the top of the puddle flange to the finished height required for the shower grate installation.

Note: Remove puddle flange decal prior to showergrate installation.

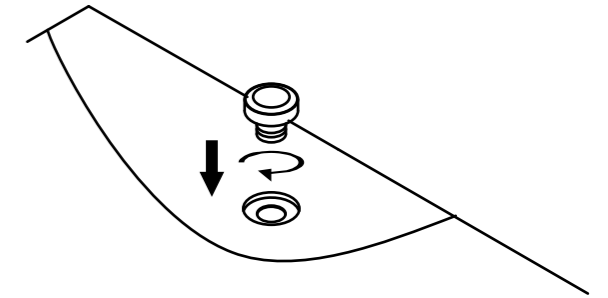


- 5 The remainder of the sand cement is installed to allow for correct falls down to the drain.

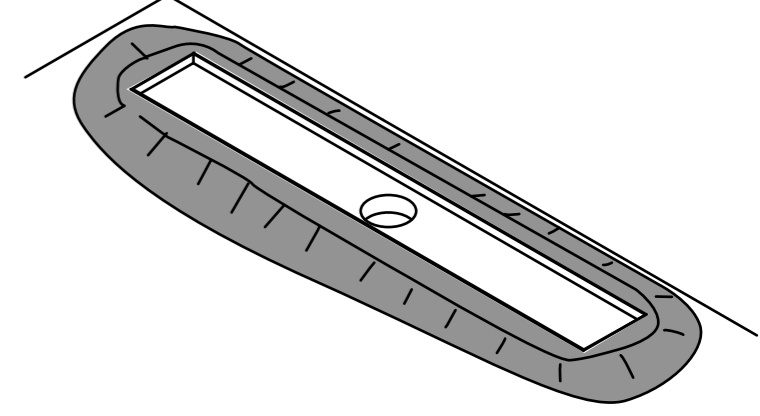


- 2 After walls & floors are lined & stopjoints are installed, the waterproofing can be applied both on to and in to the puddle flange.

Once waterproofing has adequately set, screw the puddle flange center back into place.



- 4 Bedding is applied around & underneath the grate. Level around the perimeter of the grate with any excess bedding being scraped away to allow for tile and glue thickness, so the finished tile height is just above the finished height of the shower grate



- 6 Lay tiles and fix top of shower grate into base.

