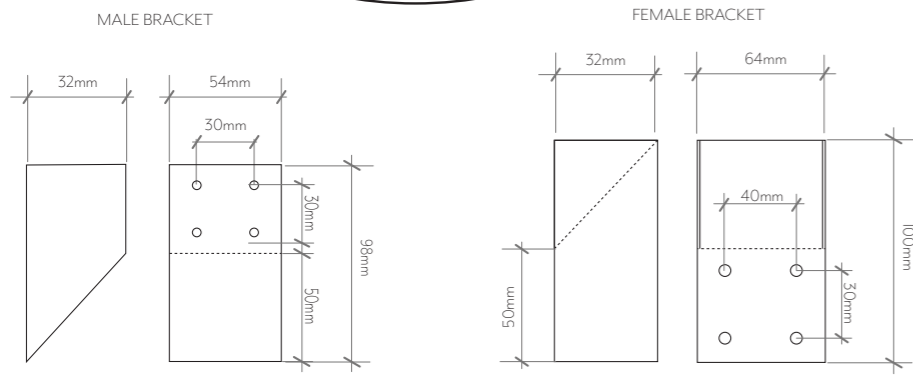
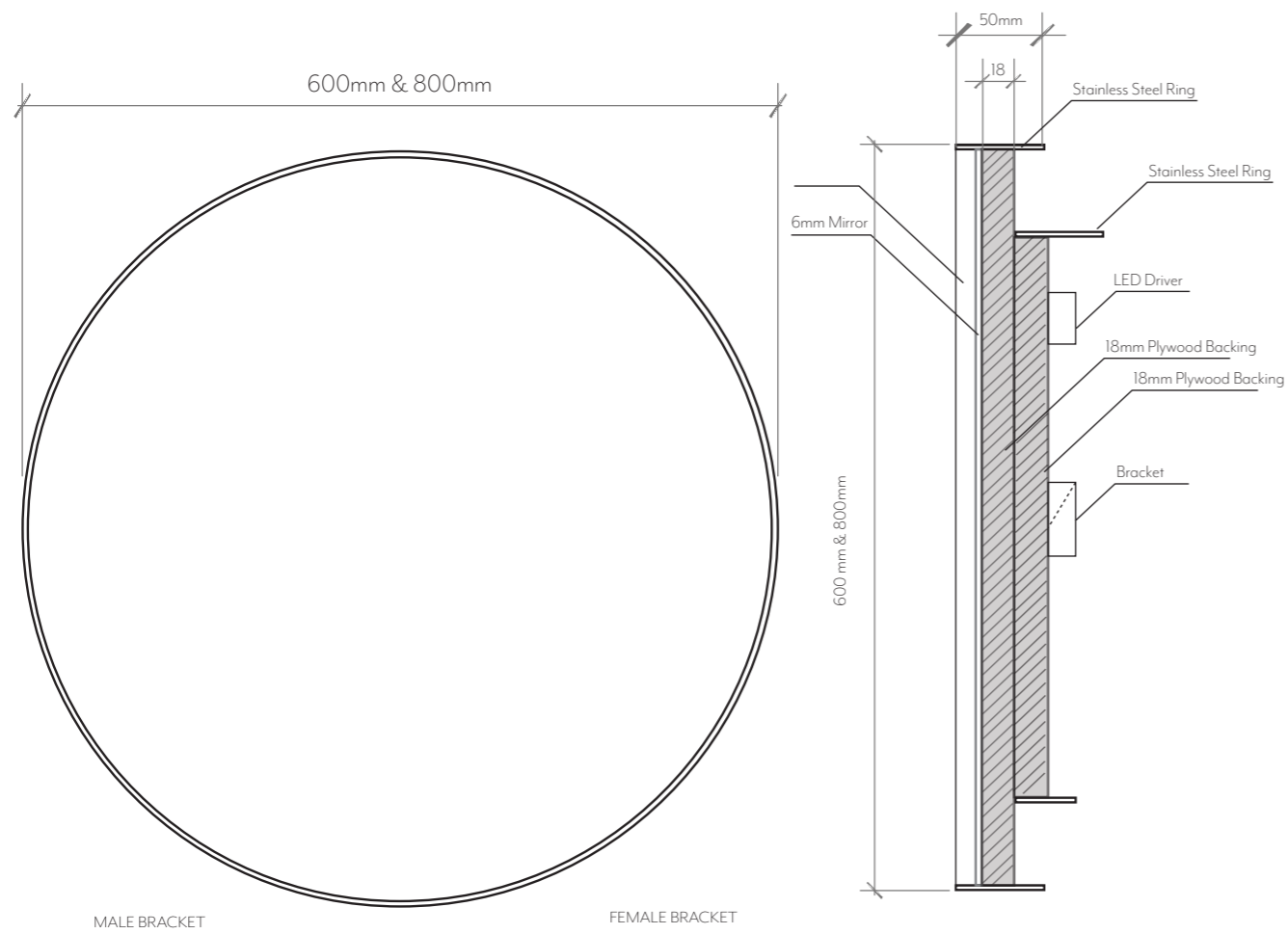




SAANTI MIRROR 600-800MM



SPECIFICATIONS

RECOMMENDED USE

Domestic

COLOUR AVAILABILITY



MATERIAL

Stainless Steel / Plywood

LED

Yes | Hardwired

WARRANTY

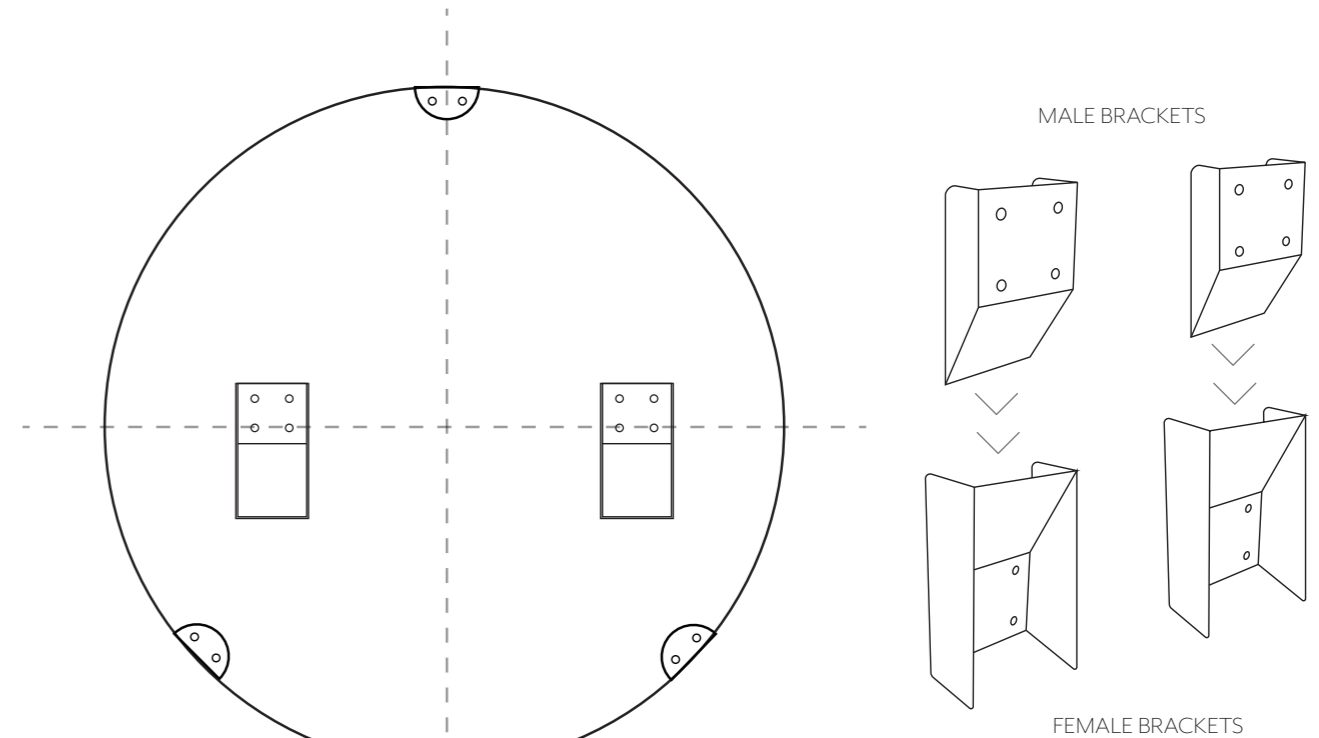
Structure: 5 years | Finish: 2 years

Disclaimer: Products in this specification manual must by regulation be installed by licensed and registered trade people. The manufacturer/distributor reserves the right to vary specifications or delete models from their range without prior notification. Dimensions are nominal measurements only. Dimensions and set-outs listed are correct at time of publication however the manufacturer/distributor takes no responsibility for printing errors. All ABI Products are designed in Australia. Copyright ABI Interiors 2019. WWW.ABIINTERIORS.COM.AU

INSTALLATION MANUAL

BEFORE YOU START

- Contact a qualified tradesmen for installation of this mirror
- Contact a qualified electrician for the wiring installation of this mirror



Step 1: Find a structural member within the wall being mounted to (timber stud, concrete wall, timber block)

Step 2: Install the female brackets onto the wall spread evenly to balance the mirrors weight, screws should be a minimum of 10 gauge to ensure shear strength, ensure that the screw is installed tightly and has penetrated a structural material.

Step 3: Check that the brackets are installed level with each other

Step 4: Install the male brackets onto the mirror and ensure that the location of the female and male brackets align perfectly. Ensure you do not use screws too long when fixing the male brackets as this could penetrate the mirror. We recommend using 12mm timber screws

Step 5: Engage a qualified electrician to wire into the driver which is located and pre-fitted into the back of the mirror

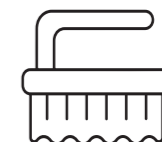
Step 6: Once wired, it can be mounted by lifting the mirror whilst aligning the male and female brackets, this does not require glue if brackets are installed correctly.



Regularly clean with mild liquid detergent or soap and water



DO NOT use cream cleaners or bleach. These substances are abrasive



DO NOT use cleaning pads with abrasive surfaces as this may scratch the material