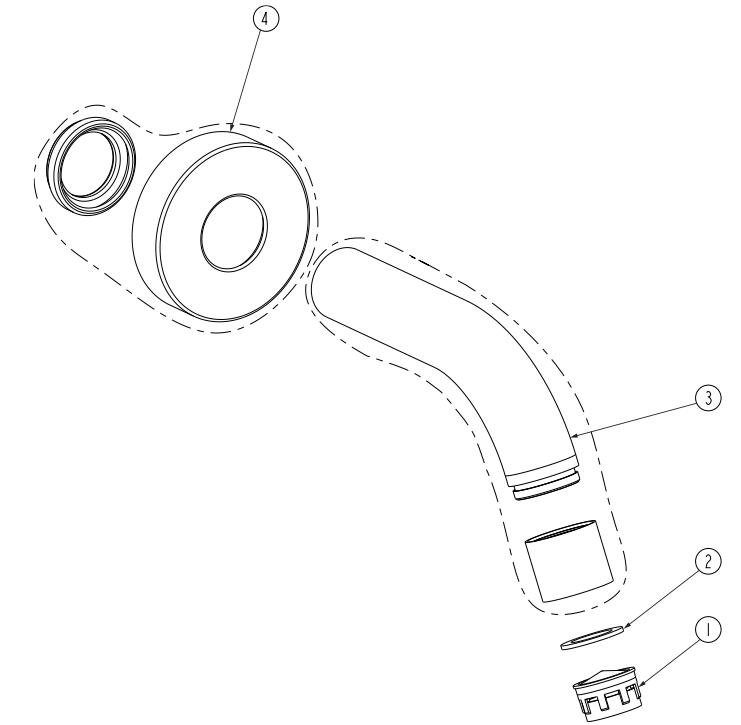


INSTALLATION PROCEDURE

- A) Ensure adequate brass thread is exposed
- B) Cut to length to suit spout
- C) Apply the thread tape to the outlet
- D) Screw the spout onto the outlet until spout is in correct position and
- E) Do not over tighten



EXPLODED VIEW

- Item Description Code
- 1 Aerator
 - 2 Rubber Ring
 - 3 Spout
 - 4 Back Plate

SPECIFICATIONS

RECOMMENDED USE

Domestic

COLOUR AVAILABILITY



TEMPERATURE RATING

Maximum continuous working temperature 75°C
If the water temperature exceeds 75°C, an approved tempering valve must be fitted

WARRANTY

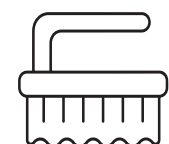
Structure: 25 years | Finish: 5 years



Regularly clean with mild liquid detergent or soap and water



DO NOT use cream cleaners or bleach. These substances are abrasive



DO NOT use cleaning pads with abrasive surfaces as this may scratch the material