

SPECIFICATIONS

RECOMMENDED USE

Domestic

COLOUR AVAILABILITY



PRESSURE RATING

Recommended minimum working pressure 150kPa
Recommended maximum working pressure 500kPa
Hot and cold water inlet pressure should be equal

TEMPERATURE RATING

Maximum continuous working temperature 75°C
If the water temperature exceeds 75°C, an approved tempering valve must be fitted

SUITABLE HOT WATER UNITS

Storage tank: Yes
Continuous Flow: Yes
Gravity Feed: Not suitable

STANDARDS

WELS Star Rating(5 Star) – Nominal Flow Rate(5.5 L/M)
Registration No.(T32357)

WARRANTY

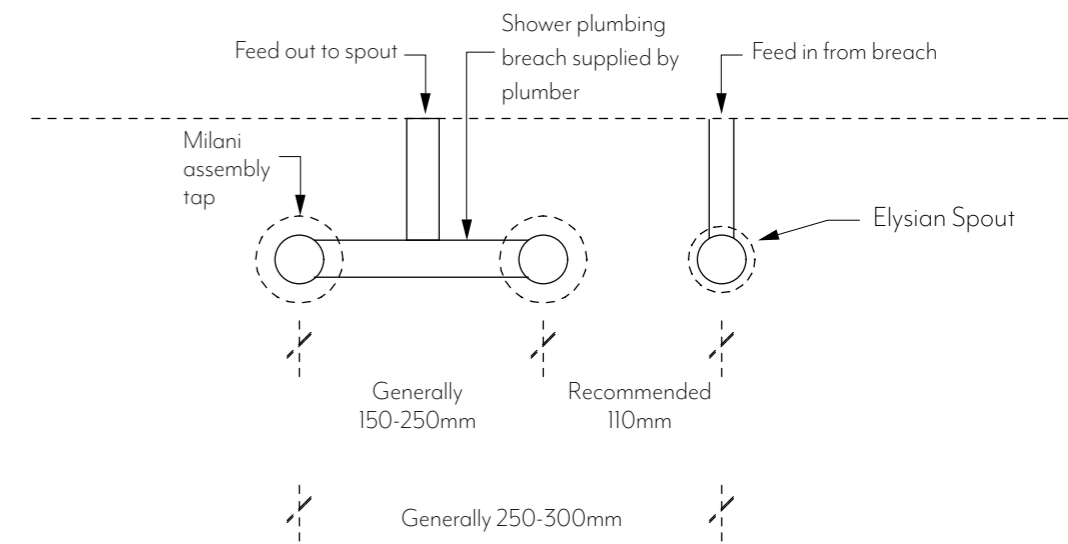
Structure: 25 years | Finish: 5 years | Cartridge: 10 years

INSTALLATION MANUAL

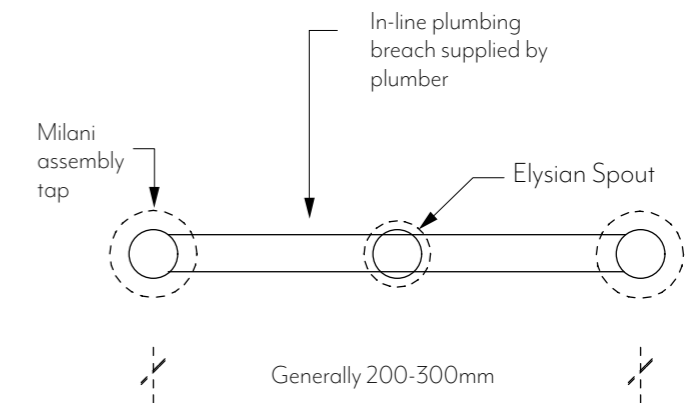
TYPICAL INSTALLATION EXAMPLES

Please note that all instructions must be done by a licensed plumber, these examples are recommendations only

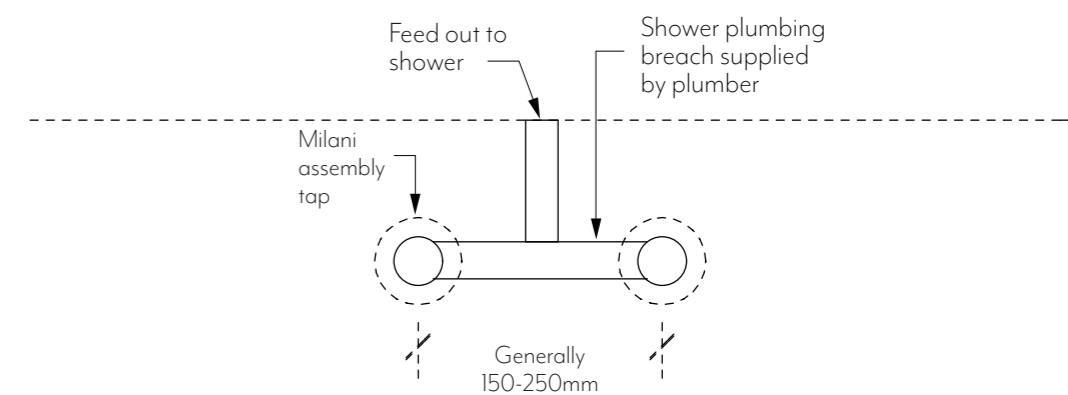
EXAMPLE ONE Offset basin mixer/bath spout setup

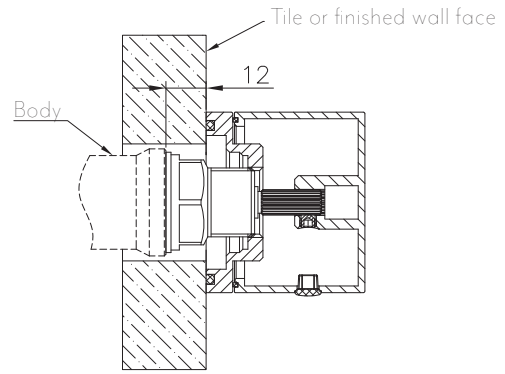
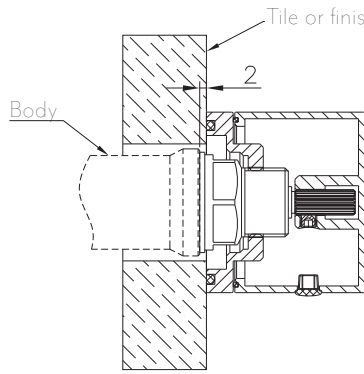
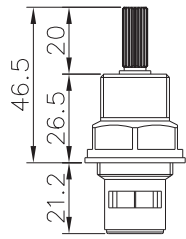


EXAMPLE TWO Centered basin mixer/bath spout setup

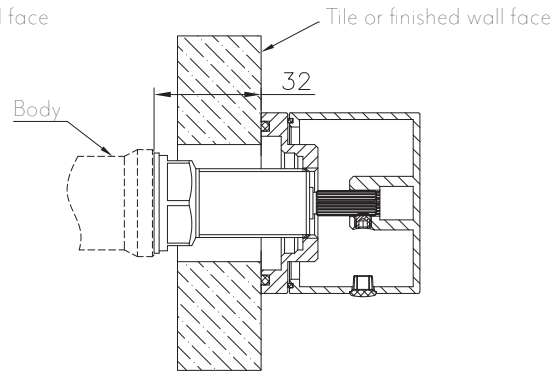
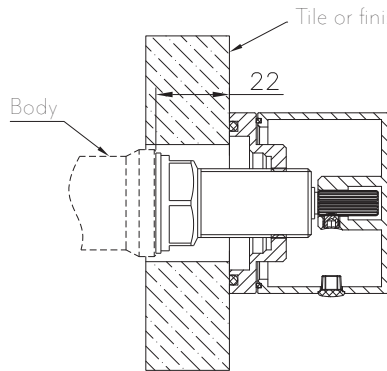
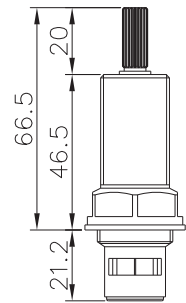


EXAMPLE THREE Shower Setup





STANDARD



EXTENDED

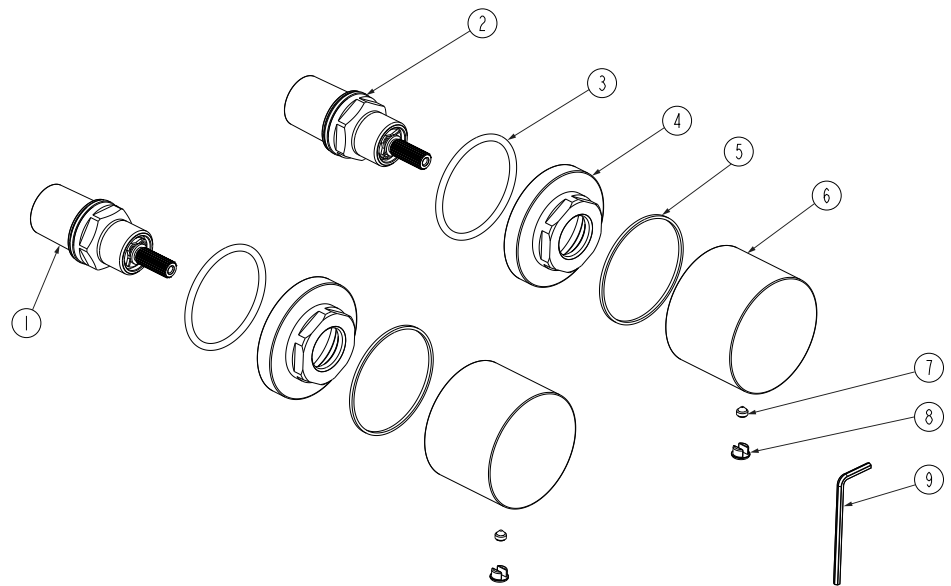
****Extended spindles available upon request****

ABI

EXPLODED VIEW

Item Description Code

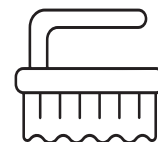
- 1-2 Spindle
- 3 O-Ring
- 4 Body
- 5 O-Ring
- 6 Handle
- 7 Grub Screw
- 8 Cap
- 9 Grub Screw
- 10 Allen Key



Regularly clean with mild liquid detergent or soap and water



DO NOT use cream cleaners or bleach. These substances are abrasive



DO NOT use cleaning pads with abrasive surfaces as this may scratch the material