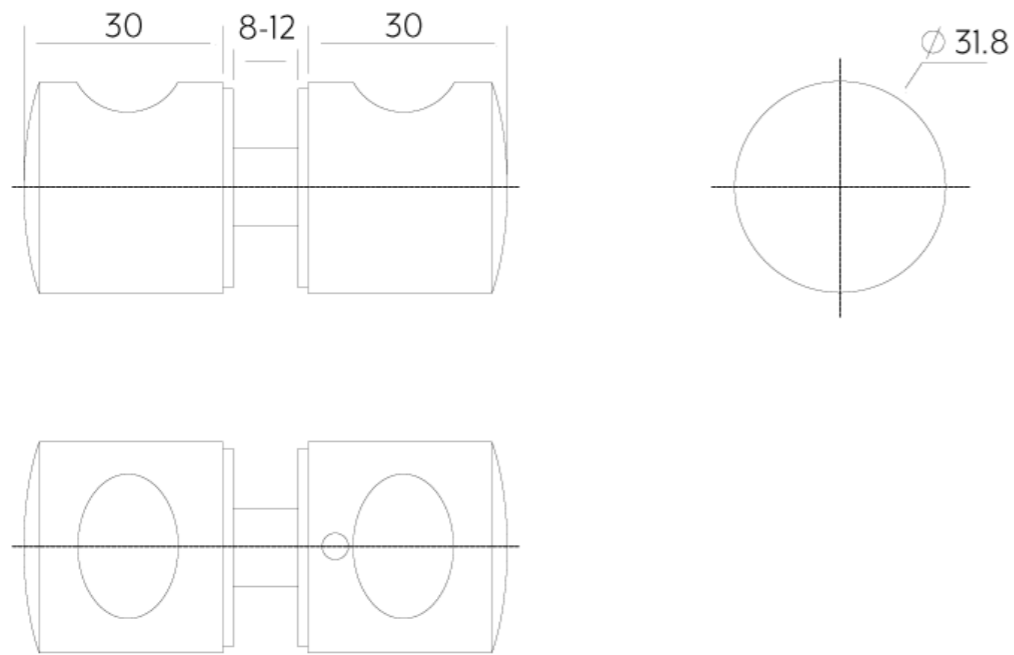




# LIVIO SHOWER DOOR HANDLE



## SPECIFICATIONS

RECOMMENDED USE	Domestic / Commercial
COLOUR AVAILABILITY	
MATERIAL	304 Stainless Steel
INSTALLATION	8-12mm (hole required)
WARRANTY	Residential - Structure: 10 Years   Finish: 5 Year

Disclaimer: Products in this specification manual must by regulation be installed by licensed and registered trade people. The manufacturer/distributor reserves the right to vary specifications or delete models from their range without prior notification. Dimensions are nominal measurements only. Dimensions and set-outs listed are correct at time of publication however the manufacturer/distributor takes no responsibility for printing errors. All ABI Products are designed in Australia. Copyright ABI Interiors 2019. WWW.ABIINTERIORS.COM.AU

## INSTALLATION GUIDE

Note: This product must be installed by a licensed trade  
This is a general installation guide - there are many factors that are involved that can alter the installation method.

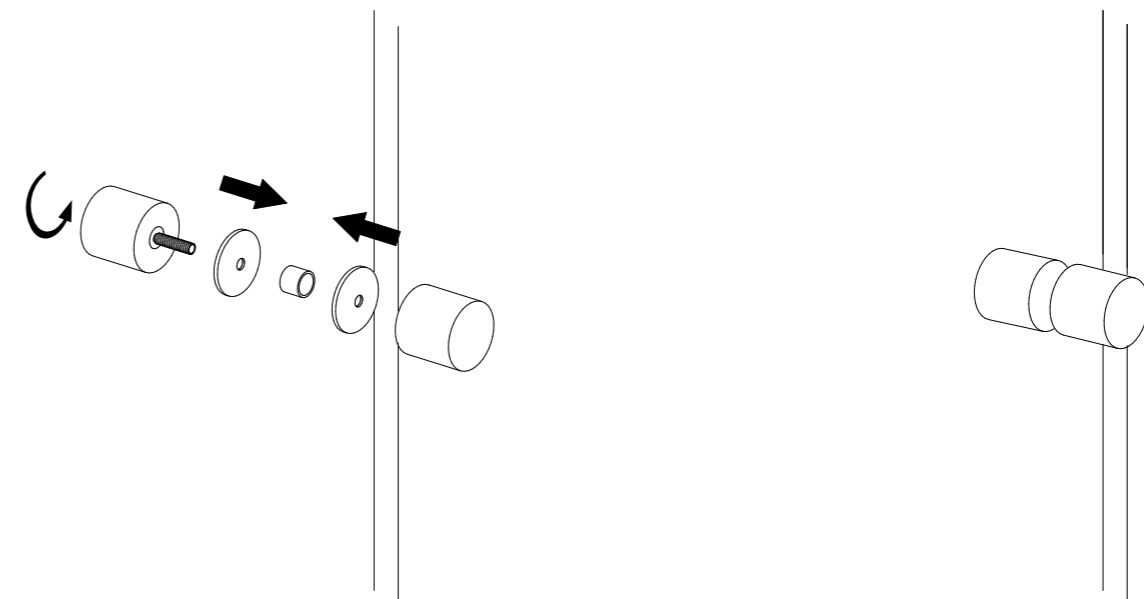
1 Drill hole in desired position of shower screen

2 Fix plastic washer into hole



3 Feed threaded bolt of inner handle through plastic washers and hole in glass to align with the outer handle thread

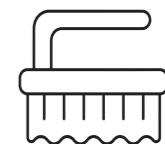
Screw the two components together until securely tightened



Clean with mild liquid detergent or soap and water



DO NOT use cream cleaners or bleach. These substances are abrasive



DO NOT use cleaning pads with abrasive surfaces as this may scratch the material