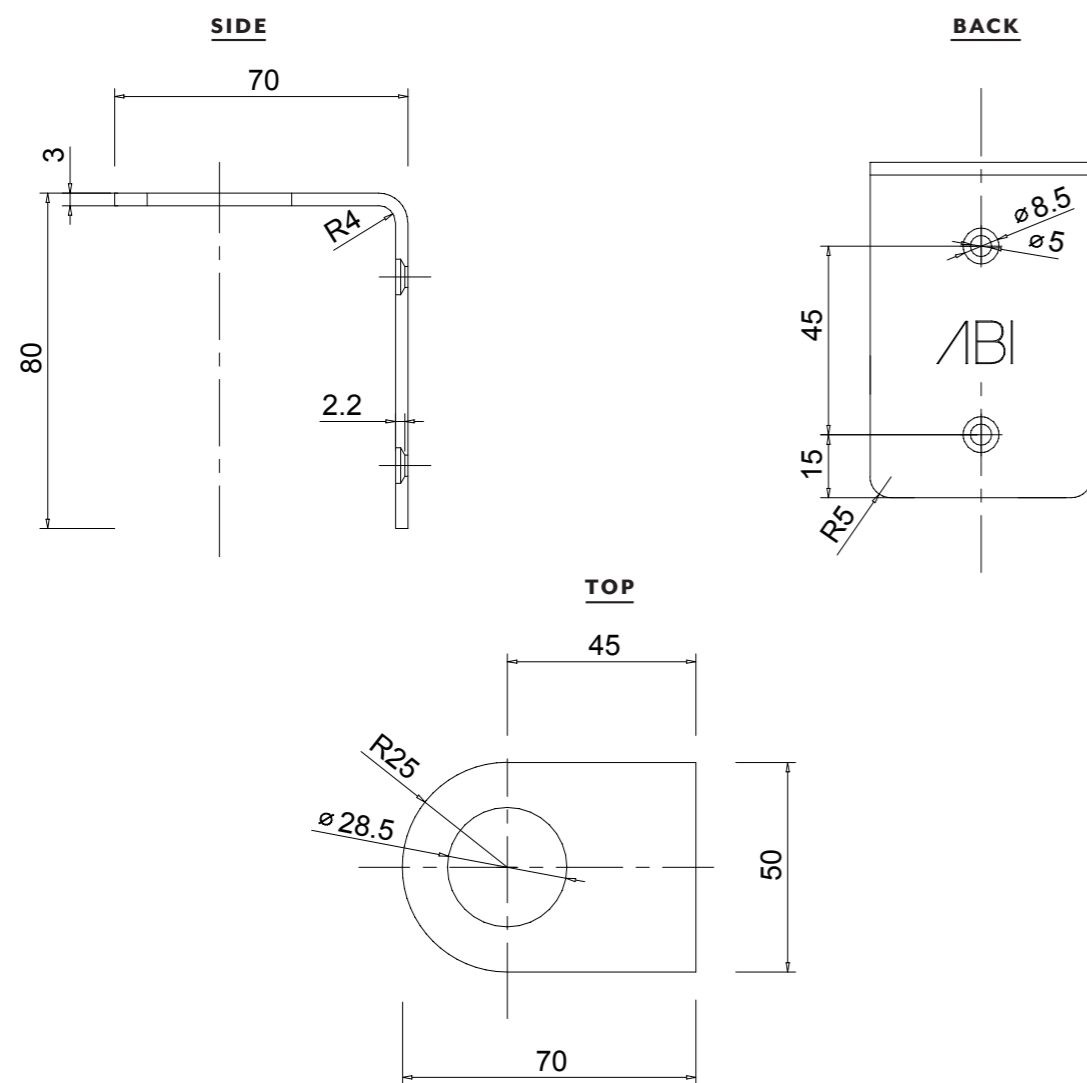


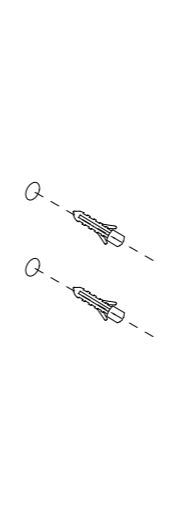
LIRA SOAP HOLDER



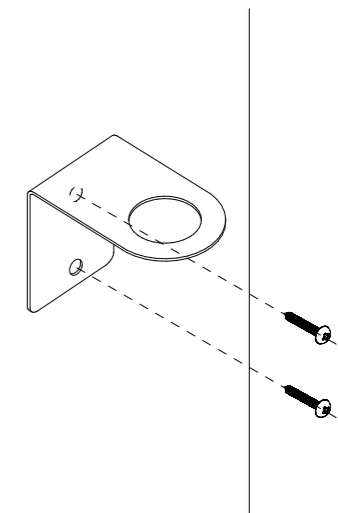
INSTALLATION GUIDE

Note: This product must be installed by a licensed trade
 This is a general installation guide - there are many factors that are
 involved that can alter the installation method.

- 1 Mark out desired position for soap holder.
 Drill holes in desired position and insert wall plugs.



- 2 Fix soap holder to wall using fixings provided.



SPECIFICATIONS

RECOMMENDED USE	Domestic / Commercial
COLOUR AVAILABILITY	
MATERIAL	304 Stainless Steel
SIZES	W50 x H80 x D70mm
INSTALLATION	2 x Screws
WARRANTY	Structure: 10 Years Finish: 5 Years