

Note: Dimensions are nominal measurements only

Note: Dimensions are nominal measurements only

SPECIFICATIONS

RECOMMENDED USE

Domestic

MATERIAL

Stainless Steel / Plywood

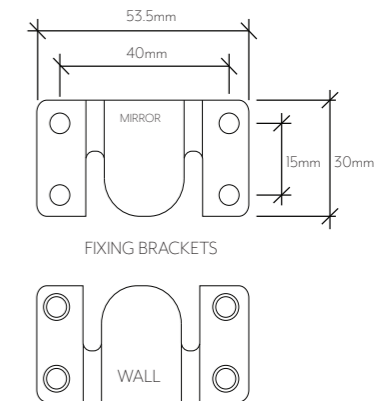
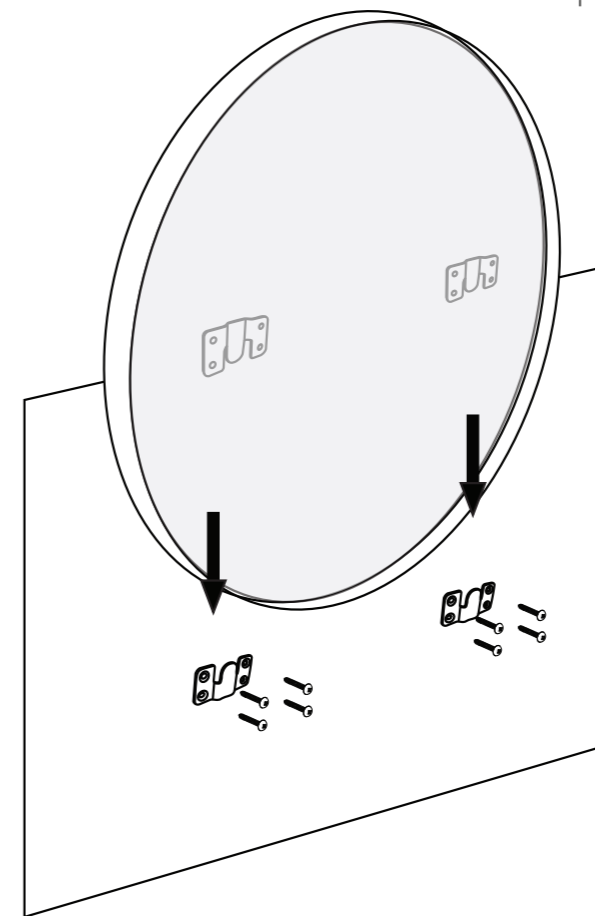
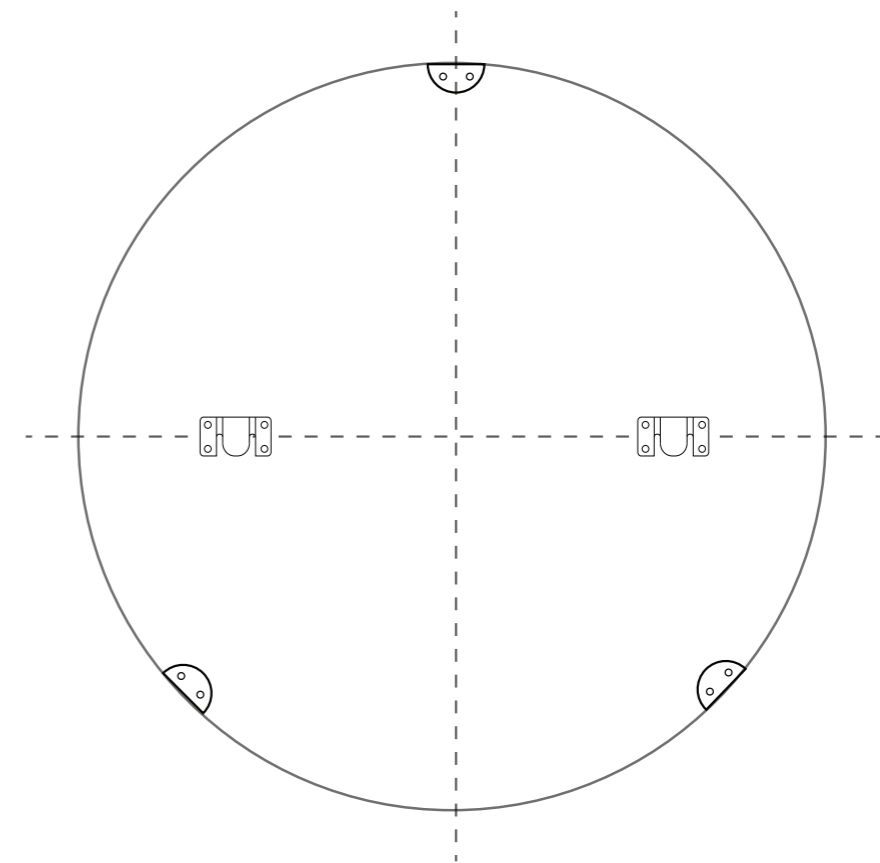
FINISH

Stainless Steel - Brushed Brass, Brushed Copper, Brushed Gunmetal, Brushed Stainless & Chrome
Lacquer - Matte Black & White

WARRANTY

Structure: 5 years | Finish: 2 years

Disclaimer: Products in this specification manual must by regulation be installed by licensed and registered trade people. The manufacturer/distributor reserves the right to vary specifications or delete models from their range without prior notification. Dimensions are nominal measurements only. Dimensions and set-outs listed are correct at time of publication however the manufacturer/distributor takes no responsibility for printing errors. All ABI Products are designed in Australia. Copyright ABI Interiors Pty Ltd 2021.



1. Mark desired position up on wall
2. Fix brackets in position on the wall using appropriate fixings and plugs if necessary. Tip: Use a level to ensure the brackets are installed at the same height!
3. Line up and fix brackets onto back of mirror using supplied screws
4. Slot the mirror brackets into the wall brackets



Regularly clean with mild liquid detergent or soap and water



DO NOT use cream cleaners or bleach. These substances are abrasive



DO NOT use cleaning pads with abrasive surfaces as this may scratch the material