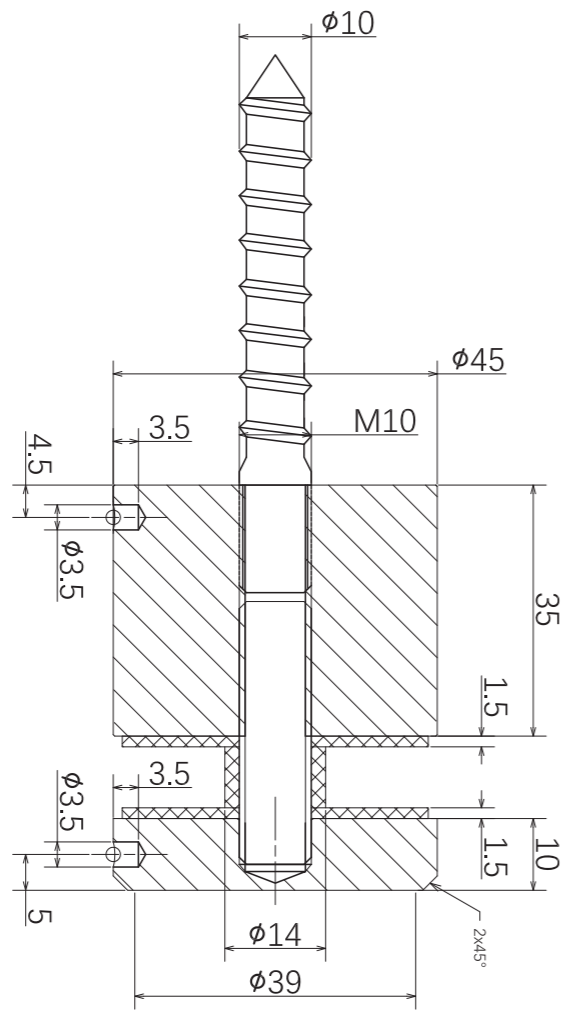


KENLEY GLASS STAND-OFF



SPECIFICATIONS

RECOMMENDED USE

Domestic / Commercial

COLOUR AVAILABILITY



MATERIAL

304 Stainless Steel

GLASS

12mm (hole required)

INSTALLATION

Timber / Concrete / Blockwork

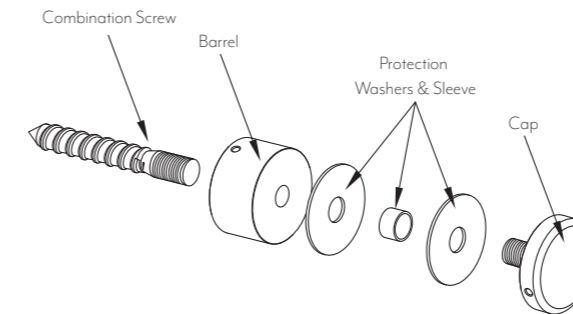
WARRANTY

Residential - Structure: 5 Years | Finish: 1 Year
Commercial - Structure: 5 Years | Finish: 1 Year

INSTALLATION GUIDE

Note: This product must be installed by a licensed trade
This is a general installation guide - there are many factors that are involved that can alter the installation method.

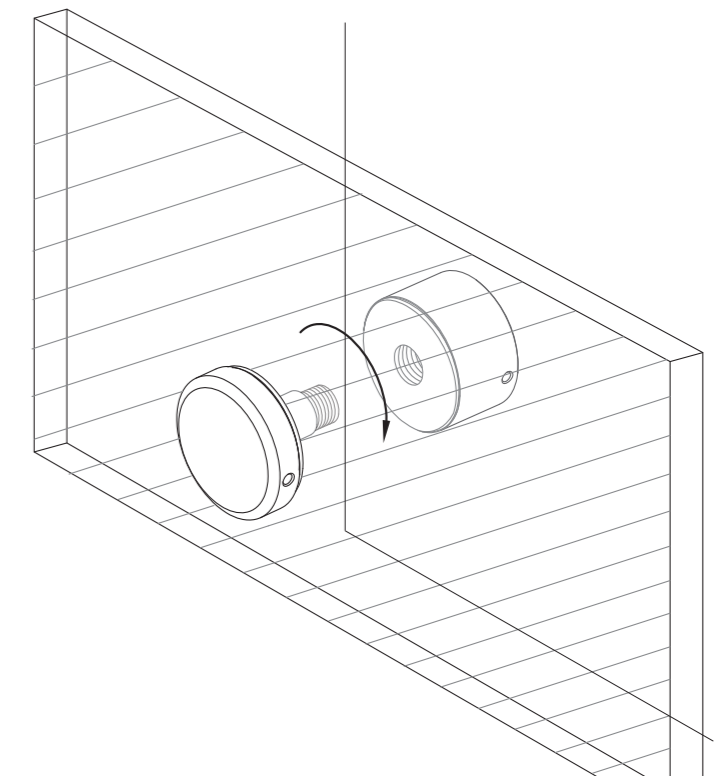
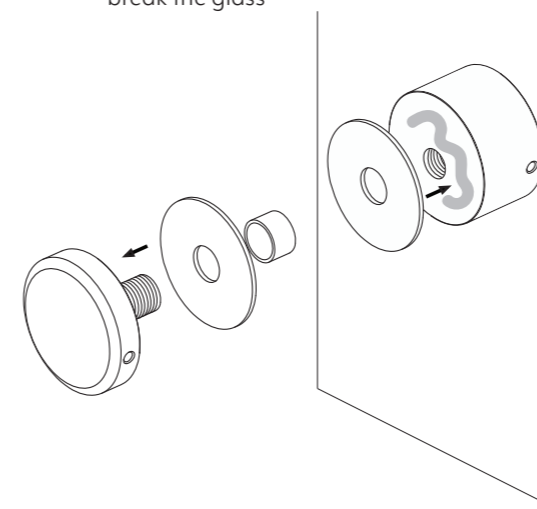
- 1 Disassemble stand-off by removing cap, plastic washers and unscrewing the large combination screw from the barrel



- 2 Measure and mark out desired position for stand-offs. Pre drill holes into surface and apply plugs if mounting to blockwork or concrete.
Note: Glass requires pre drilled holes to install

- 3 Screw the combination screw in. Twist the barrel onto the combination screw and use stand-off tool to tighten. Be sure not to put too much pressure as this could scratch the finished surface

- 4 Use a temporary adhesive to stick one plastic washer to the barrel. Hold glass in place using special grips and screw the cap (with plastic washer and screw sleeve) through the glass and into the barrel. Tighten using stand-off tool to clamp glass.
Do not over tighten as this could potentially break the glass



Clean with mild liquid detergent or soap and water



DO NOT use cream cleaners or bleach. These substances are abrasive



DO NOT use cleaning pads with abrasive surfaces as this may scratch the material