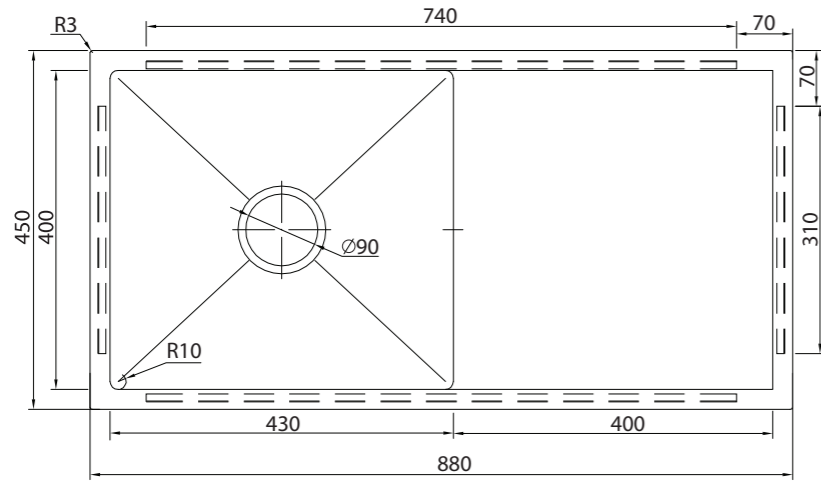


FRONT VIEW

SIDE VIEW



TOP VIEW

**Note:** Dimensions are nominal measurements only

## SPECIFICATIONS

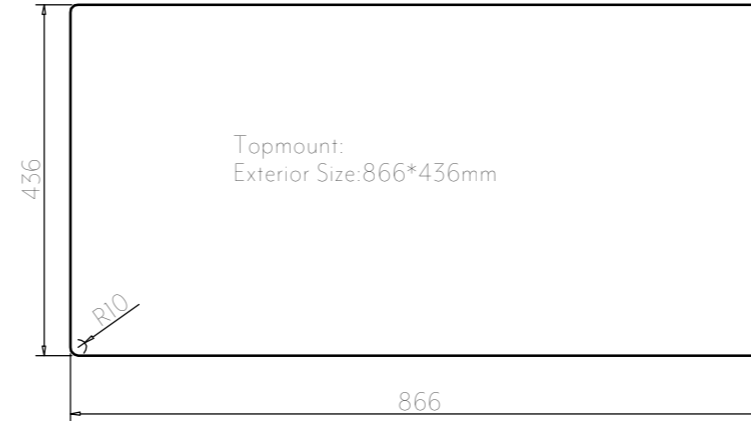
RECOMMENDED USE	Domestic, Commercial
MATERIAL	Stainless Steel
CONSTRUCTION	Soundproofing Layer & 10mm Radius Corners
INSTALLATION	Undermount, Top Mount
OVERFLOW	Yes
WARRANTY	Structure: 25 years   Finish: 5 years
LITRE	31L

## INSTALLATION

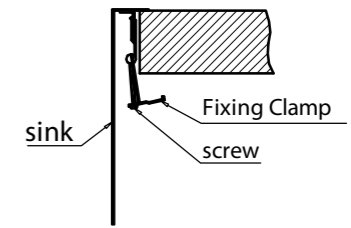
ABI will not be held responsible for any damage caused by leakage or faulty installation. ABI has a strict quality controlling process however please check the sink prior to installation. Please ensure proper care is taken during installation to avoid scratching the Stainless Steel.

## CUT-OUT TEMPLATES

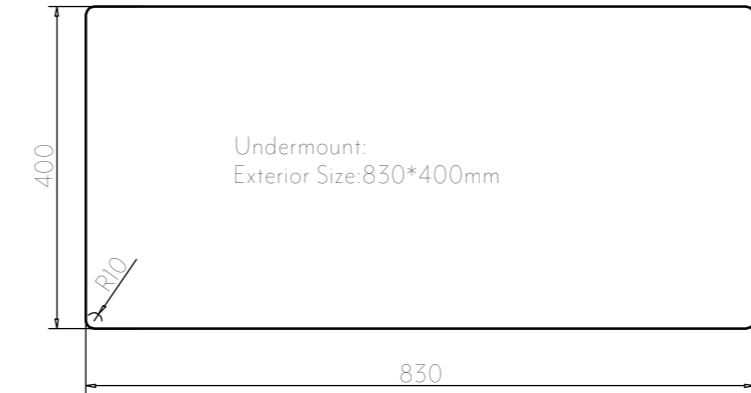
### TOPMOUNT INSTALLATION



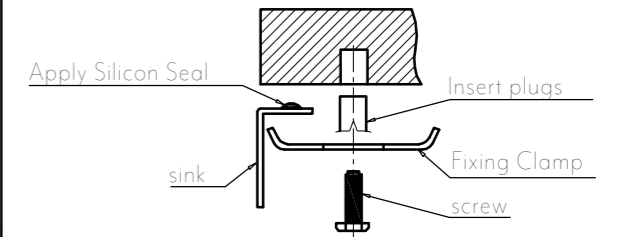
### TOPMOUNT INSTALLATION



### TOPMOUNT INSTALLATION



### UNDERMOUNT INSTALLATION



## RACK DIMENSIONS

