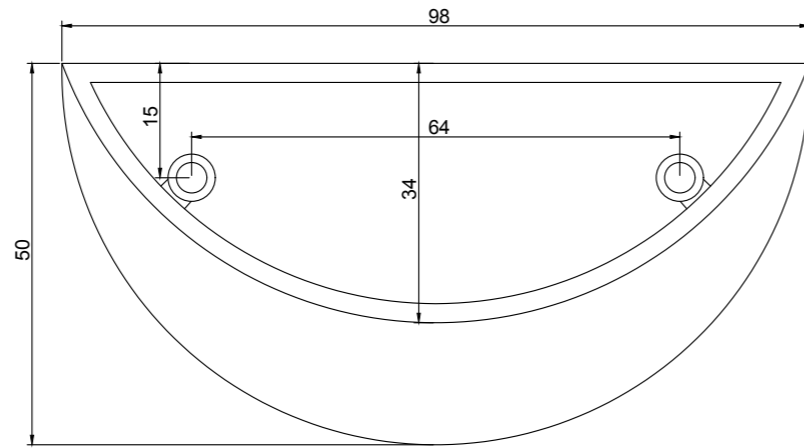
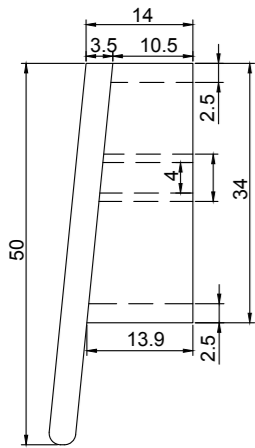




IMES CABINETY PULL



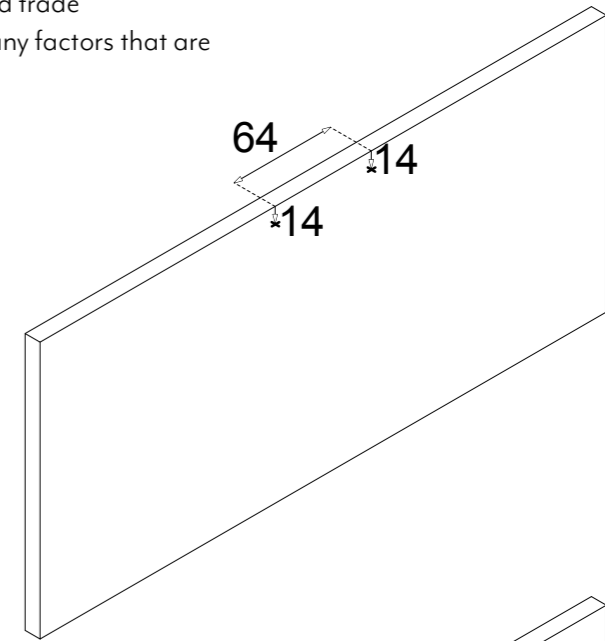
SPECIFICATIONS

RECOMMENDED USE	Domestic
COLOUR AVAILABILITY	 
CONSTRUCTION	Zinc
MOUNTING HARDWARE INCLUDED	Yes
MOUNTS FROM	Front
HOLE DISTANCE	64mm (centre to centre)
WARRANTY	5 years structural warranty 1 year finish coating warranty

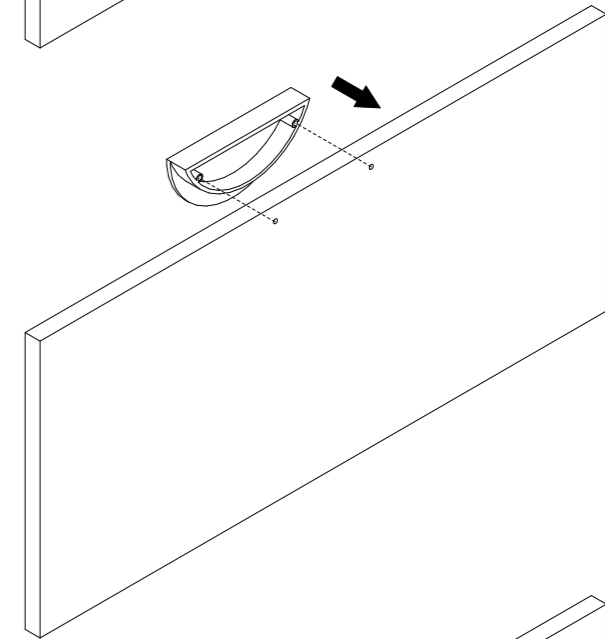
INSTALLATION GUIDE

Note: This product must be installed by a licensed trade
This is a general installation guide - there are many factors that are involved that can alter the installation method.

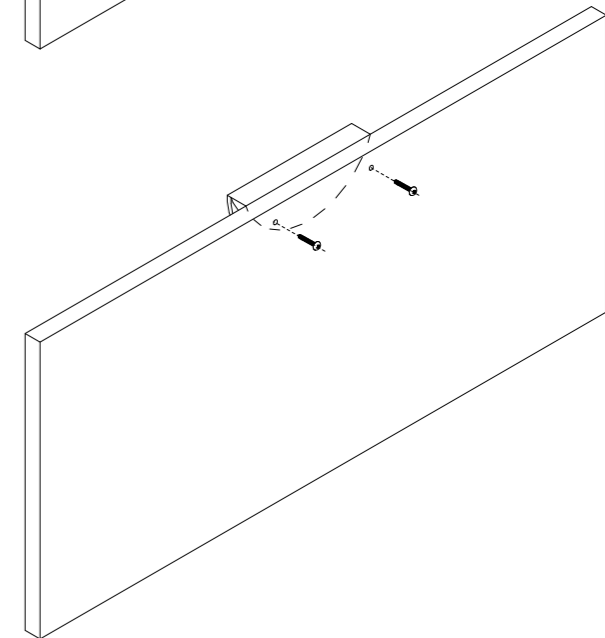
1 Mark out desired position of handle.
Mark holes 14mm from edge of drawer/door & 64mm from centre to centre of holes.



2 Drill holes into marked out positions.
Check accuracy of distance of holes with hole positions in handle.



3 Fix handle to drawer/door using fixings provided.



Regularly clean with mild liquid detergent or soap and water



DO NOT use cream cleaners or bleach. These substances are abrasive



DO NOT use cleaning pads with abrasive surfaces as this may scratch the material