

SPECIFICATIONS

RECOMMENDED USE

Domestic

COLOUR AVAILABILITY



CONSTRUCTION

Solid Brass

FINISH / COATING

ABI's Heat Shield – Industrial Grade PVD Electro Colouring System

FUNCTIONS

Swivel

WARRANTY

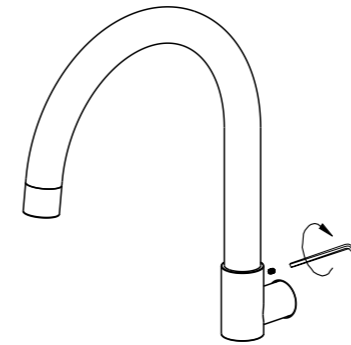
Structure: 25 years | Finish: 5 years

Disclaimer: Products in this specification manual must by regulation be installed by licensed and registered trade people. The manufacturer/distributor reserves the right to vary specifications or delete models from their range without prior notification. Dimensions are nominal measurements only. Dimensions and set-outs listed are correct at time of publication however the manufacturer/distributor takes no responsibility for printing errors. All ABI Products are designed in Australia. Copyright ABI Interiors 2019. WWW.ABIINTERIORS.COM.AU

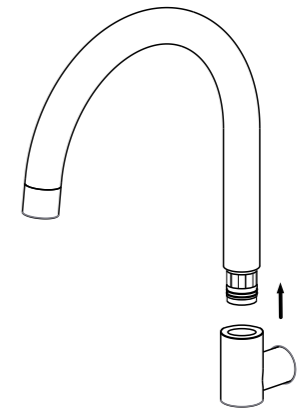
INSTALLATION INSTRUCTIONS

If your spout is positioned close to the bench or has taps close by - you may not be able to twist it on with the gooseneck spout attached - below are the steps to install your spout without hitting any obstacles. Please note: This product must be installed by a licensed plumber

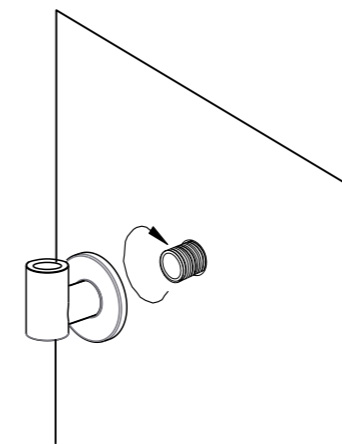
1 Using the allen key, loosen the grub screw.



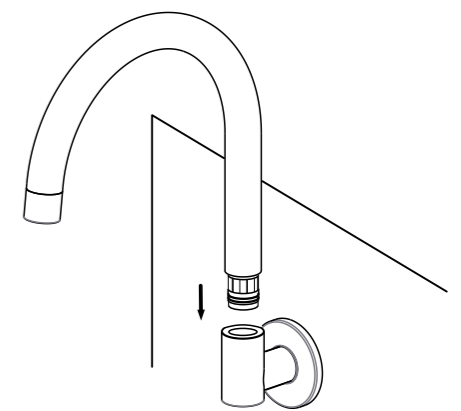
2 Make sure the grub screw is loosened enough to release the spout. Release spout by pulling apart from the base. This step is only necessary



3 Rotate the body onto the water outlet (1/2 inch nipple) with teflon tape and firmly tighten.



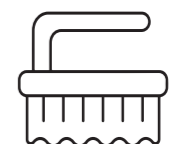
4 Insert the gooseneck back into the body and tighten the grub screw. Note: Apply water based lubricant to the O-ring.



Regularly clean with mild liquid detergent or soap and water



DO NOT use cream cleaners or bleach. These substances are abrasive



DO NOT use cleaning pads with abrasive surfaces as this may scratch the material