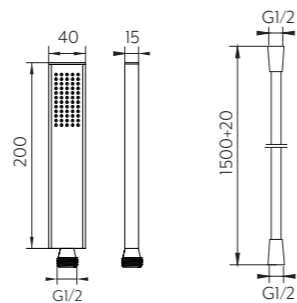


BOTTOM DIVERTER INSTALLATION

The hand held has more range to move when the diverter is installed at the bottom of the rail, compared to installation at the top.



SPECIFICATIONS

RECOMMENDED USE

Domestic

PRESSURE RATING

Recommended minimum working pressure 150kPa
Recommended maximum working pressure 500kPa
Hot and cold water inlet pressure should be equal

TEMPERATURE RATING

Maximum continuous working temperature 75°C
If the water temperature exceeds 75°C, an approved tempering valve must be fitted

WARRANTY

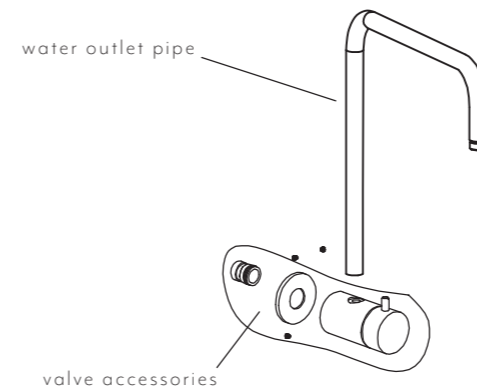
Shower Head / Hand Shower
Structure: 10 years | Finish: 5 years
Shower Rail / Shower Hose / Diverter
Structure: 5 years | Finish: 2 years

FINLEY ALL IN ONE SHOWER SET INSTALLATION MANUAL

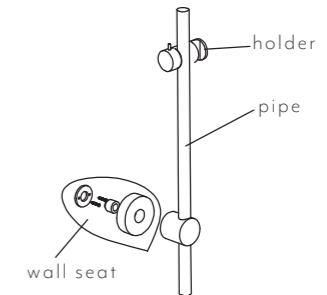
BEFORE YOU START

- Cut off the water supply pipeline. (Recommended minimum working pressure 0.2Mpa - 2bar)
- Check if the water supply pipe is damaged, if necessary, replace
- Prepare the G1/2 pipes and accessories.
- The shower head works at maximum working pressure: 0.5Mpa (5bar). If the water pressure is higher than 0.5Mpa(5bar) you must install a pressure reducing valve. Shower head is made to highest working temperature and environmental temperature: 60°C.
- Keep shower head and pipe away from the heater.

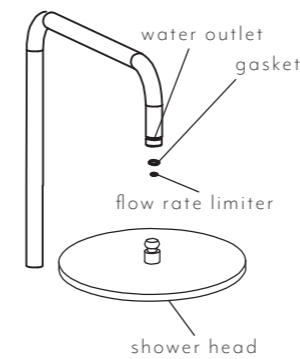
- 1 Install the valve accessories and the wall seat



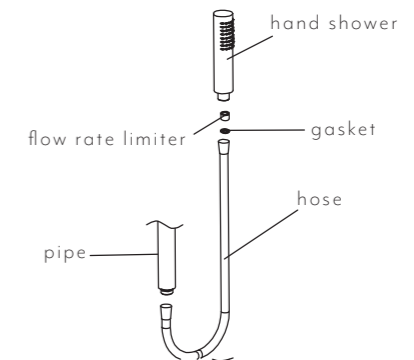
- 2 Put the straight arm into the holder, valve accessories and wall seat, use M5 screws. Install the water outlet pipe into the top.



- 3 Before installing shower head, open and clean the pipe. Put the flow rate limiter and gasket into the shower head, then connect the shower head with the water outlet. Screw the head.



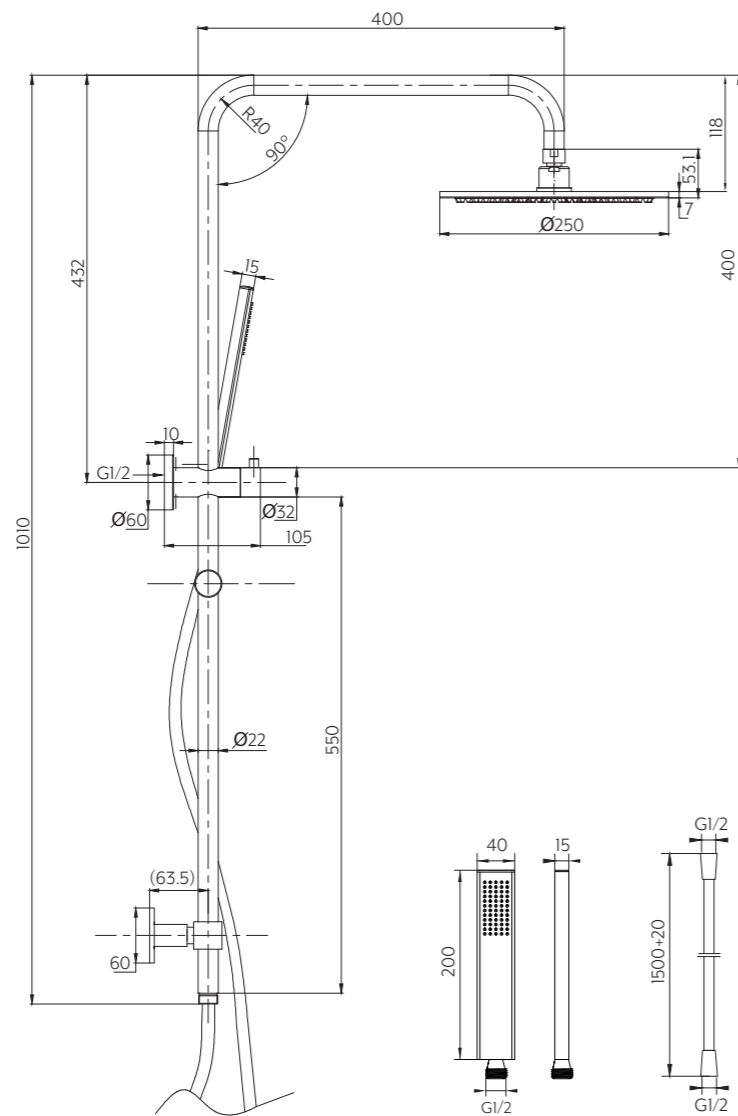
- 4 Before installing the hand shower, open and clean the pipe. Connect hand shower with the hose and the pipe



- 5 Make sure each screw connection is strong. Open the drainage system and water supply, check if theres any leakage in the connections.

TOP DIVERTER INSTALLATION

Please keep in mind, top diverter installation can limit the hand held movement along the rail.



SPECIFICATIONS

RECOMMENDED USE

Domestic

PRESSURE RATING

Recommended minimum working pressure 150kPa
Recommended maximum working pressure 500kPa
Hot and cold water inlet pressure should be equal

TEMPERATURE RATING

Maximum continuous working temperature 75°C
If the water temperature exceeds 75°C, an approved tempering valve must be fitted

WARRANTY

Shower Head / Hand Shower
Structure: 10 years | Finish: 5 years
Shower Rail / Shower Hose / Diverter
Structure: 5 years | Finish: 2 years

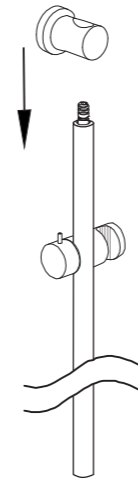
FINLEY ALL IN ONE SHOWER SET INSTALLATION MANUAL

Installation for Diverter at the bottom

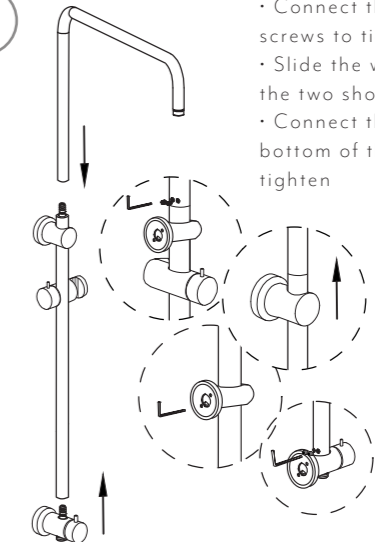
BEFORE YOU START

- Cut off the water supply pipeline. (Recommended minimum working pressure 0.2Mpa - 2bar)
- Check if the water supply pipe is damaged, if necessary, replace
- Prepare the G1/2 pipes and accessories.
- The shower head works at maximum working pressure: 0.5Mpa (5bar). If the water pressure is higher than 0.5Mpa(5bar) you must install a pressure reducing valve. Shower head is made to highest working temperature and environmental temperature: 60°C.
- Keep shower head and pipe away from the heater.

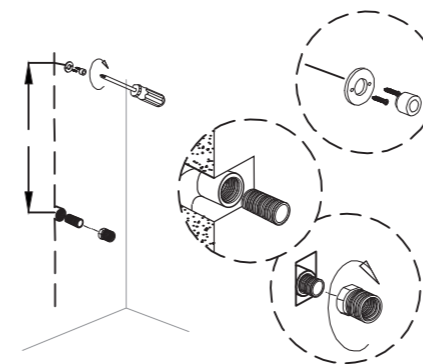
- 1** Install the slider and wall base onto the shower rail



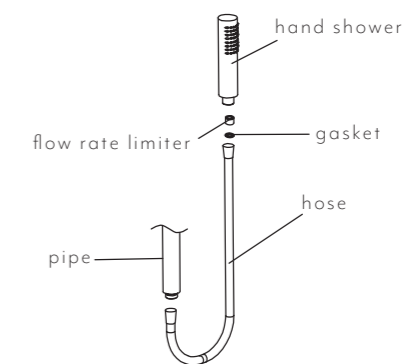
- 2**
- Connect the shower rails using grub screws to tighten.
 - Slide the wall base to cover the join of the two shower rails
 - Connect the diverter component to the bottom of the rail using grub screws to tighten



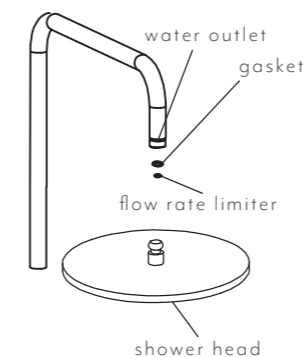
- 3**
- Screw the 1/2inch BP adaptor to the BP
 - Apply teflon tape to the adaptor
 - Place expander screw into the hole. Fix to bracket



- 4** Before installing the hand shower, open and clean the pipe. Connect hand shower with the hose and the pipe



- 5** Before installing shower head, open and clean the pipe. Put the aerator and gasket into the shower head, then connect the shower head with the water outlet. Screw the head.



- 6** Make sure each screw connection is strong. Open the drainage system and water supply, check if theres any leakage in the connections.