

## SPECIFICATIONS

### RECOMMENDED USE

Domestic

### COLOUR AVAILABILITY



### PRESSURE RATING

Recommended minimum working pressure 150kPa  
Recommended maximum working pressure 500kPa  
Hot and cold water inlet pressure should be equal

### TEMPERATURE RATING

Maximum continuous working temperature 75°C  
If the water temperature exceeds 75°C, an approved tempering valve must be fitted

### SUITABLE HOT WATER UNITS

Storage tank: Yes  
Continuous Flow: Yes  
Gravity Feed: Not suitable

### STANDARDS

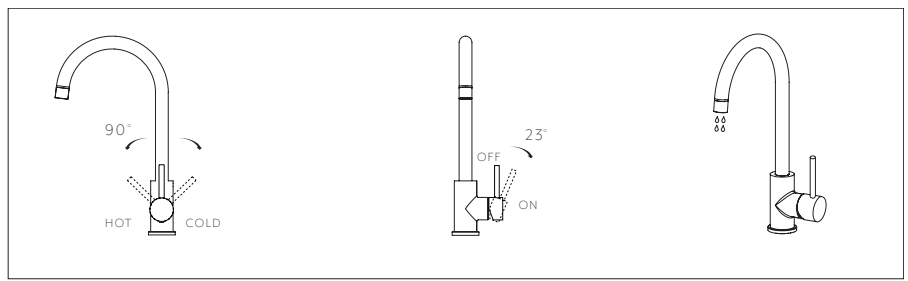
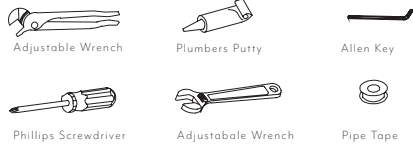
WELS Star Rating(3Star) – Nominal Flow Rate(8L/M)  
Registration No.(T32382)

### WARRANTY

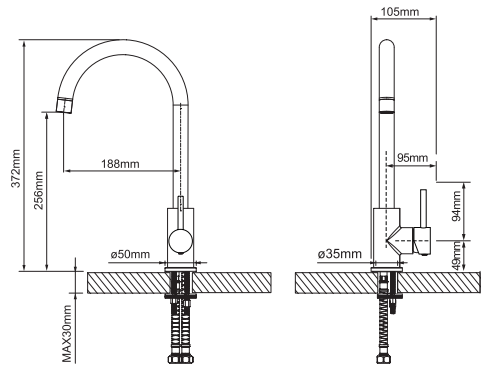
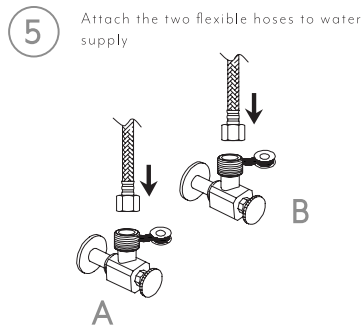
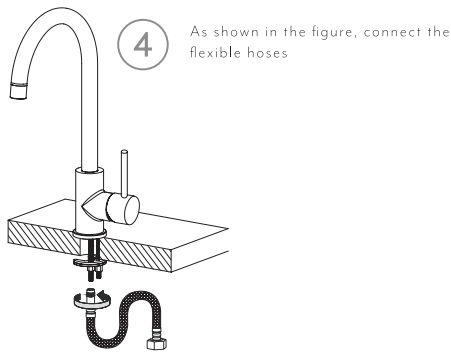
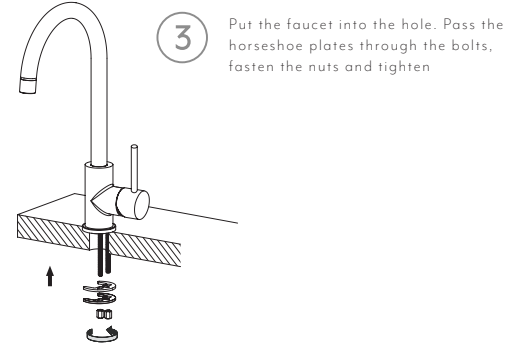
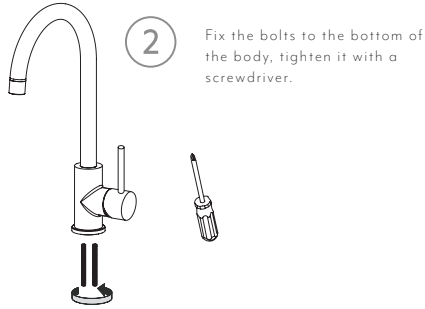
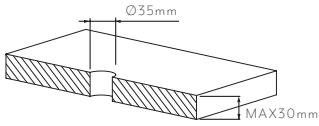
Structure: 25 years | Finish: 5 years | Cartridge: 10 years

# INSTALLATION MANUAL

Tools you will need:



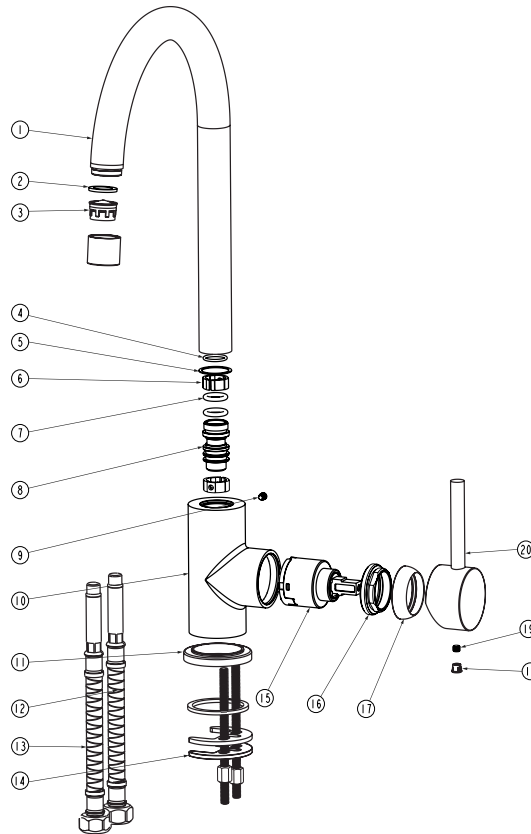
1 The hole dimension as 35mm



## EXPLODED VIEW

Item Description Code

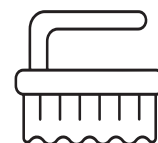
- 1 Spout
- 2 Rubber O-Ring
- 3 Aerator
- 4-8 Outlet & Connections
- 9 Grub Screw
- 10 Body
- 11 Dress Ring
- 12-13 Flexible Hoses
- 14 Horse Shoe Plate
- 15 Cartridge
- 16 Locking Nut
- 17 Dome
- 18 Cap
- 19 Grub Screw
- 20 Handle



Regularly clean with mild liquid detergent or soap and water



DO NOT use cream cleaners or bleach. These substances are abrasive



DO NOT use cleaning pads with abrasive surfaces as this may scratch the material