

Front View

Side View

Back View

**Note:** Dimensions are nominal measurements only

### SPECIFICATIONS

**RECOMMENDED USE**

Domestic / Commercial

**MATERIAL**

201 Stainless Steel

**WEIGHT BEARING**

40-45kg

**STRUCTURE**

2 Ball Bearing (2BB)

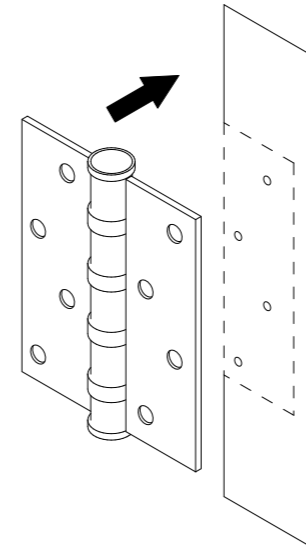
**WARRANTY**

Structure: 2 Years | Finish: 2 Years

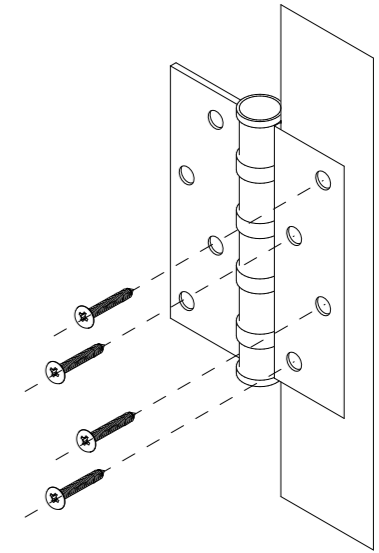
### INSTALLATION GUIDE

Note: This product must be installed by a licensed trade. This is a general installation guide - there are many factors that are involved that can alter the installation method.

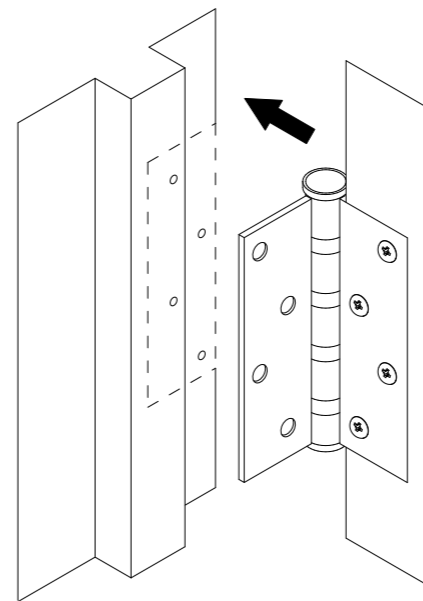
- 1 Measure the desired height on the door that you wish for the hinges to sit and mark then router the hinge position. Pre drill holes accordingly.



- 2 Fix hinge to door using fixings provided. Check door swing direction prior to fixing.



- 3 Line the door up with the door jamb & prop up into desired position. Mark then router the hinge position. Pre drill holes accordingly.



- 4 Fix the door & hinge to door jamb using fixings provided.

