

SPECIFICATIONS

RECOMMENDED USE

Domestic

COLOUR AVAILABILITY

Matte White

MATERIAL

Solid Surface

INSTALLATION

Wall Mounted

*To be used with a bench mounted mixer or a spout with reach less than 110mm

Note: water tap hoses are not able to be concealed under basin.

OVERFLOW

N/A

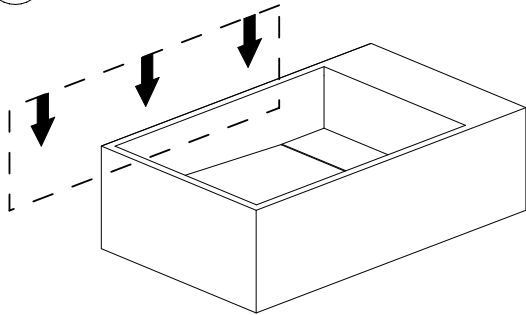
WARRANTY

Structure: 5 years | Finish: 5 years

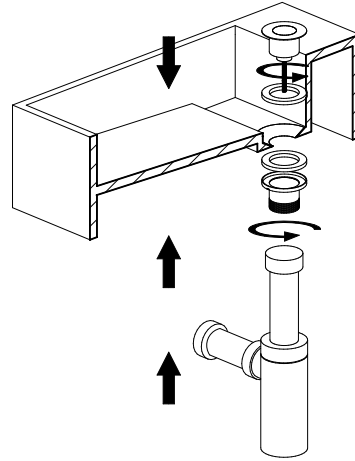
INSTALLATION GUIDE

Note: This product must be installed by a licensed trade
 This is a general installation guide - there are many factors that are involved that can alter the installation method.

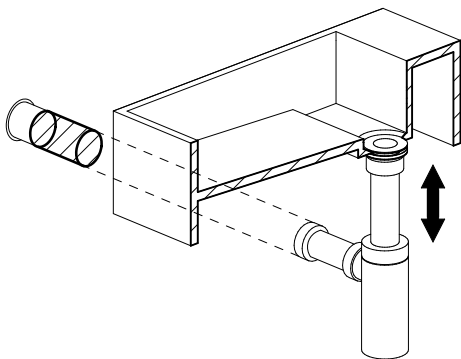
- 1 Check the desired height of basin from floor.



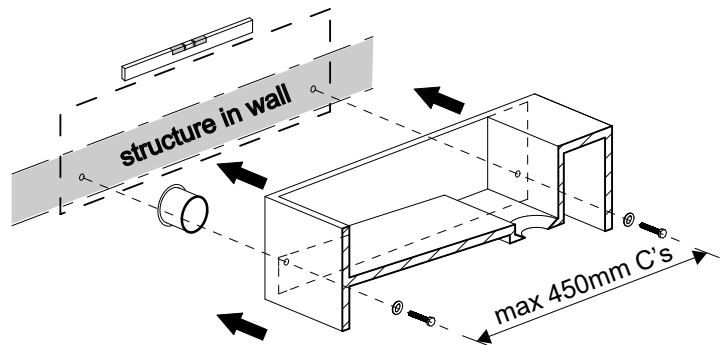
- 2 Fit waste and trap to basin.



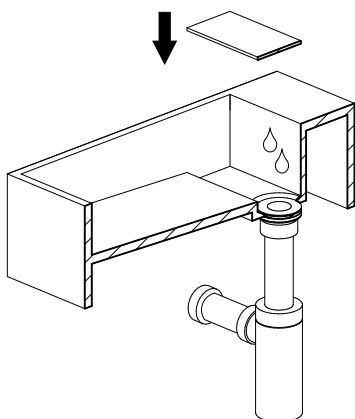
- 3 Hold basin against wall aligning outlet of trap with waste pipe. Extend telescopic trap up or down to find desired height & cut waste to suit trap.



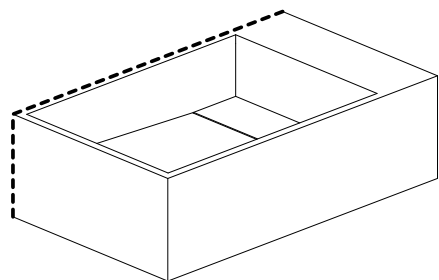
- 4 If correct height and position is suitable, level the top of the basin & mark out desired position.
 Drill holes through the back of basin wall. Fix basin into structural support in wall.



- 5 Secure plumbing to basin and wall outlet. Test by running water through the waste. Place the cover plate over drain.



- 6 Silicon top and sides of basin if necessary.



INSTALLATION - MINI SPOUT DETAIL

Note: It is recommended this product be used in conjunction with **ABI's** mini wall mounted spout due to a limited reach distance to basin waste.

