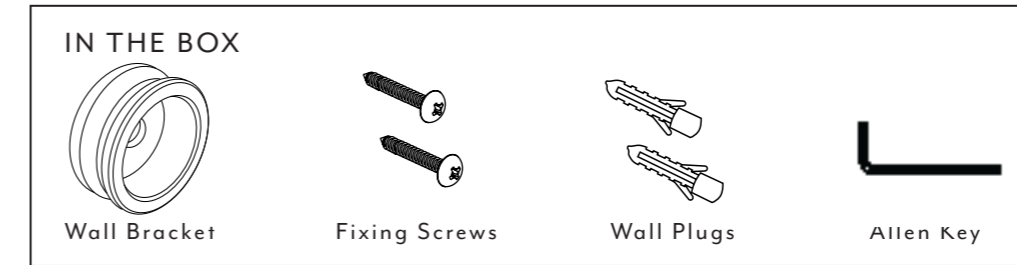
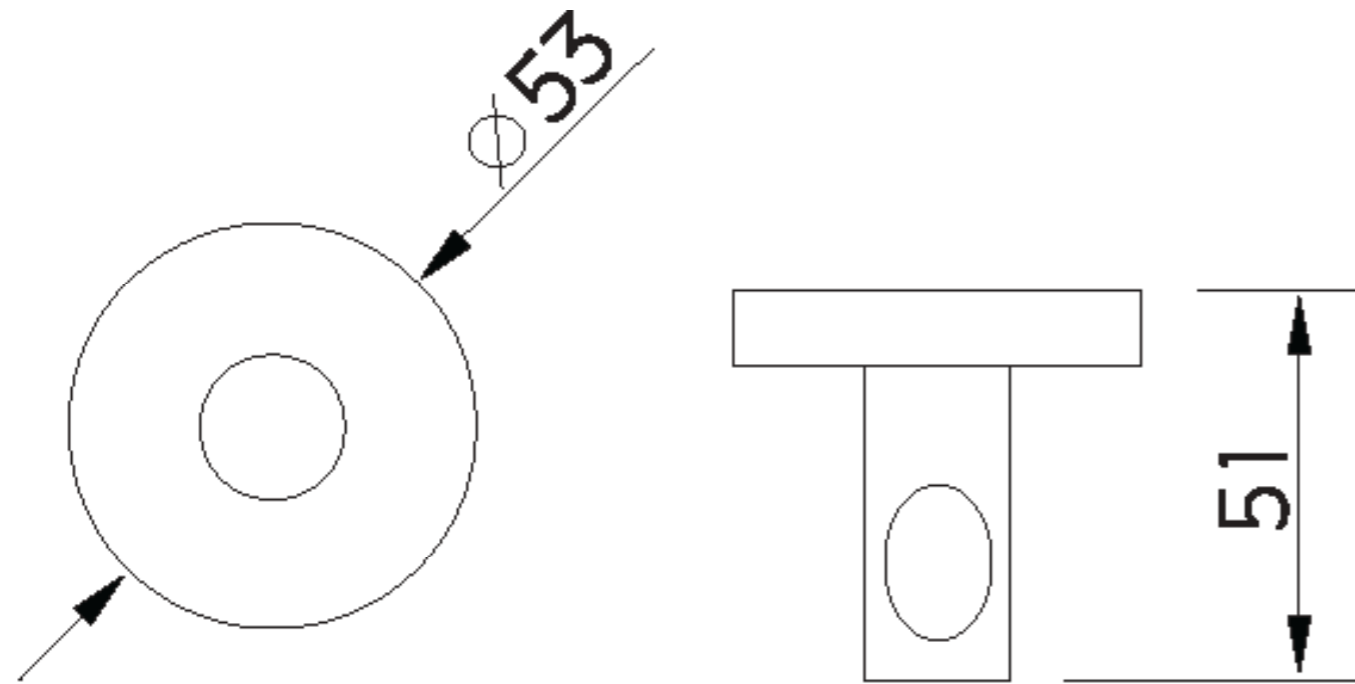


INSTALLATION MANUAL

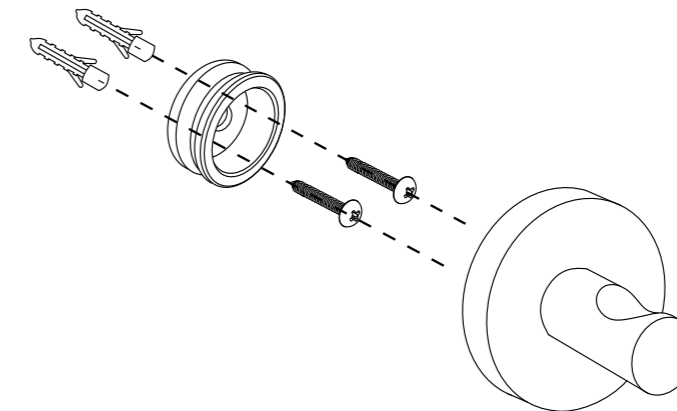


STEP ONE: Drill holes in desired position and insert wall plugs

STEP TWO: Remove brackets from the Robe Hook using the allen key to loosen the grub screw. Install bracket by fastening the supplied screws into the wall plugs

STEP THREE: Place the Robe Hook onto the bracket and firmly tighten grub screw using allen key

IMPORTANT - If installing onto plasterboard please use appropriate fixings



SPECIFICATIONS

RECOMMENDED USE

Domestic

COLOUR AVAILABILITY



MATERIAL

Solid Brass

WARRANTY

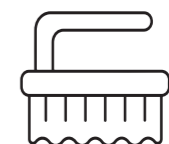
Structure: 10 years | Finish: 5 years



Regularly clean with mild liquid detergent or soap and water



DO NOT use cream cleaners or bleach. These substances are abrasive



DO NOT use cleaning pads with abrasive surfaces as this may scratch the material