

SPECIFICATIONS

RECOMMENDED USE

Domestic, Commercial

COLOUR AVAILABILITY



MATERIAL

Stainless Steel

CONSTRUCTION

Soundproofing Layer & 10mm Radius Corners

OVERFLOW

Yes

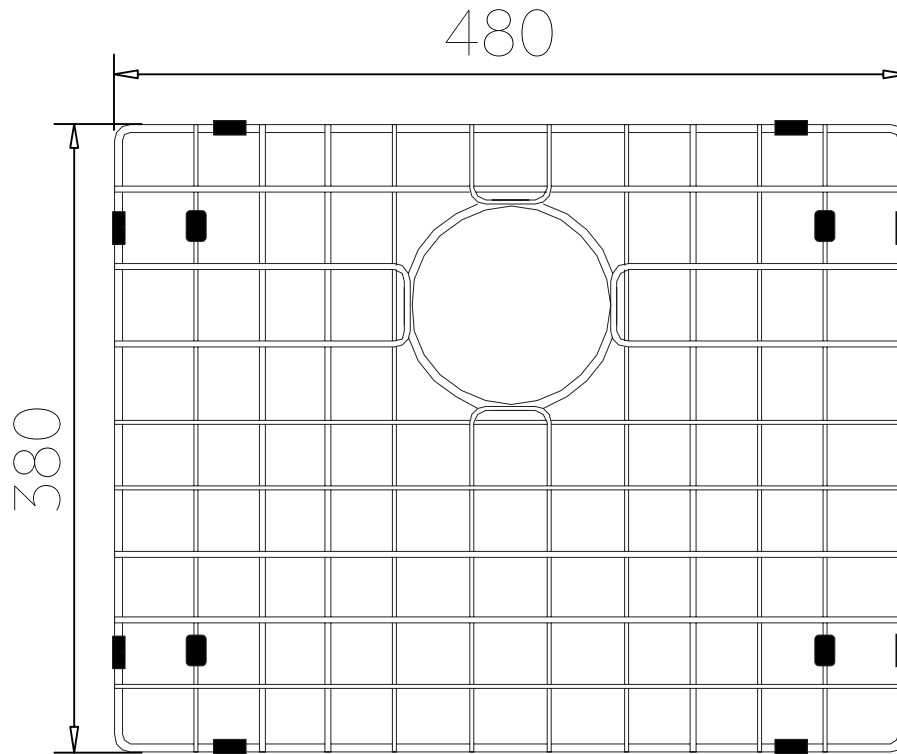
WARRANTY

Structure: 25 years | Finish: 5 years

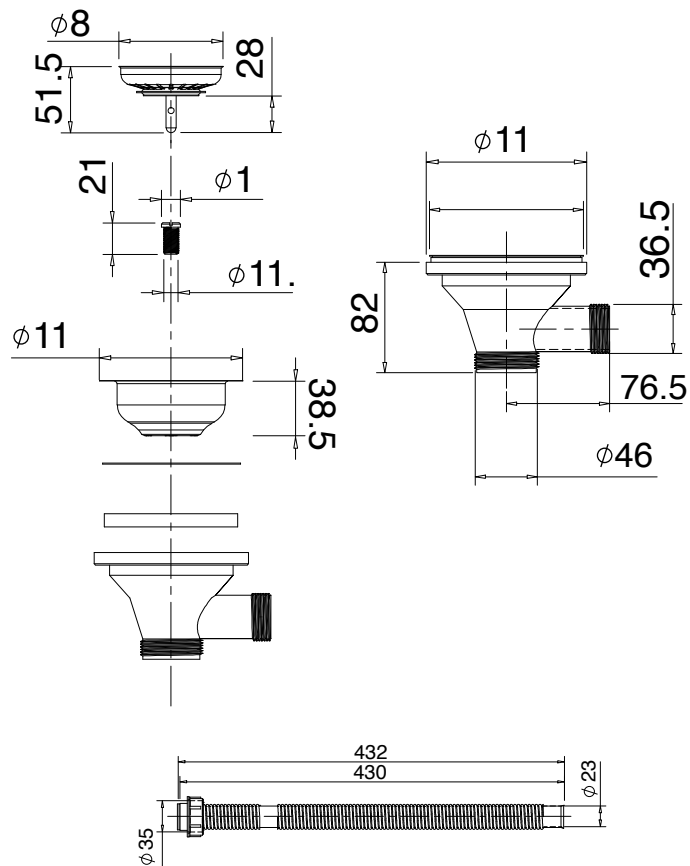
LITRE

42.16L

RACK DIMENSIONS



BASKET WASTE



INSTALLATION GUIDE

1

Disassemble the basket waste and install into sink. Washer & SS Strainer bowl should be installed from the top. Rubber pad and body to be on the underside of the sink - tighten screw to fix parts together. Add Basket (Diagram 1)

2

Connect the flexible pipe to the body and screw on fitting to tighten. Push pipe onto the overflow fitting -pushing as far as possible

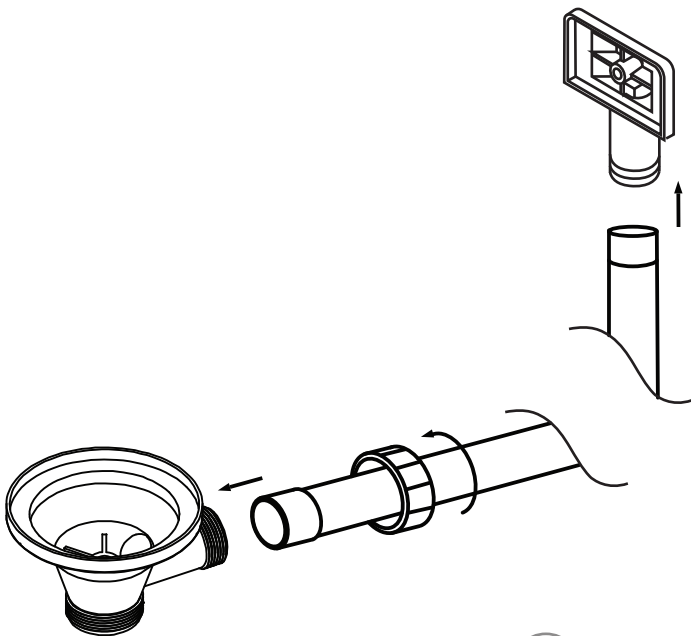
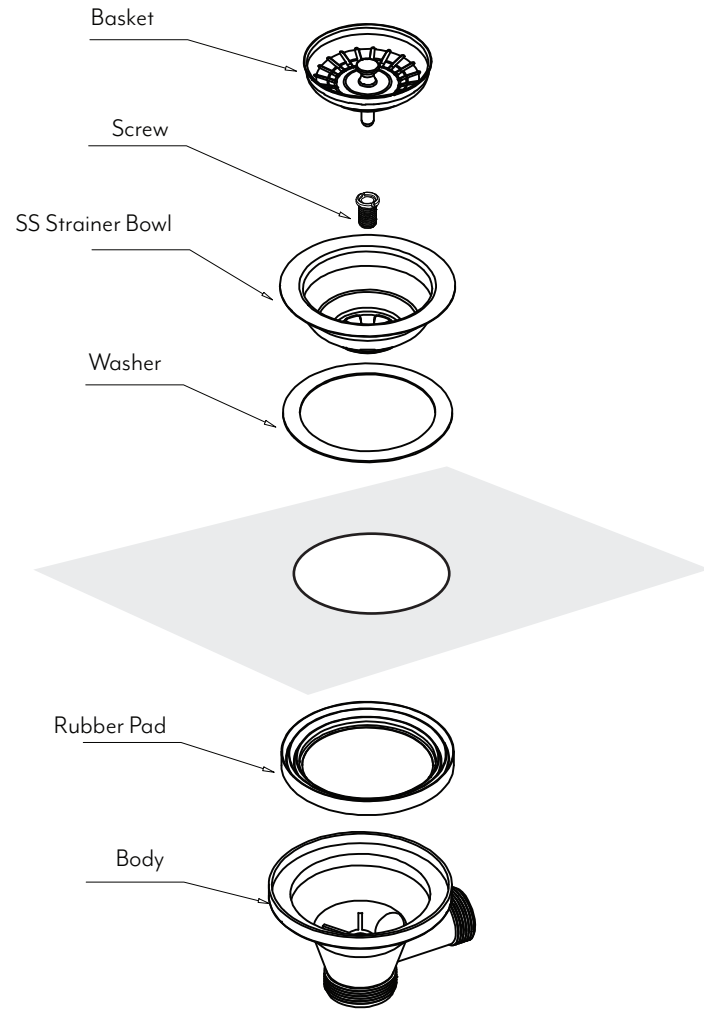
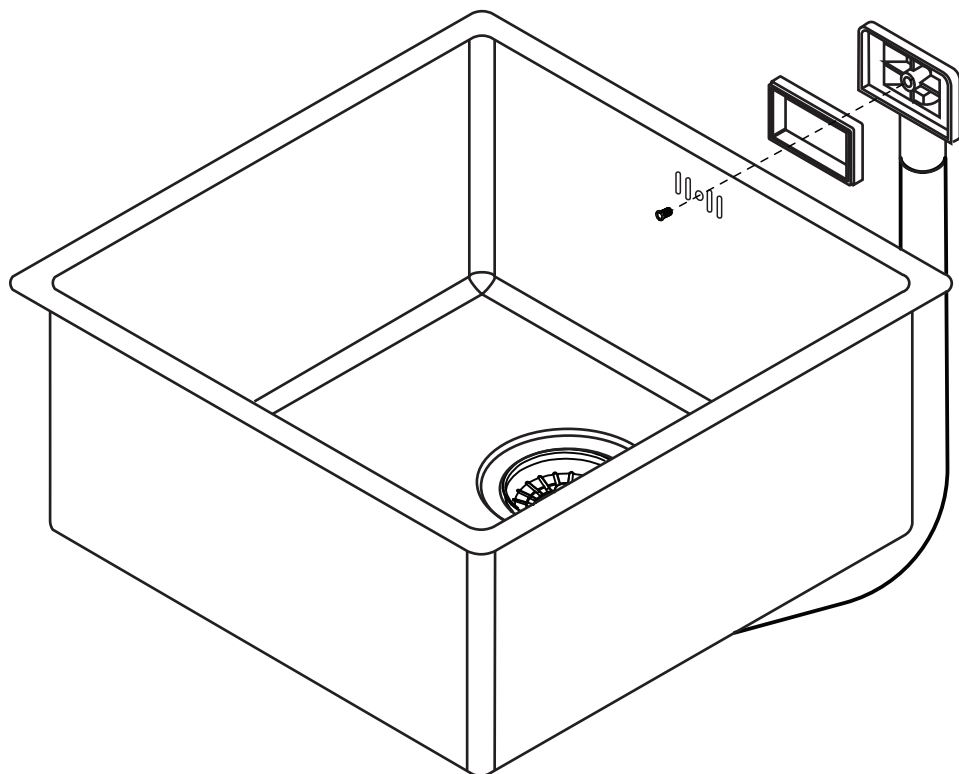


DIAGRAM 1



3

Add rubber seal into the overflow fitting, line up with hole and place on outside of sink. Tighten screw to fix parts together.

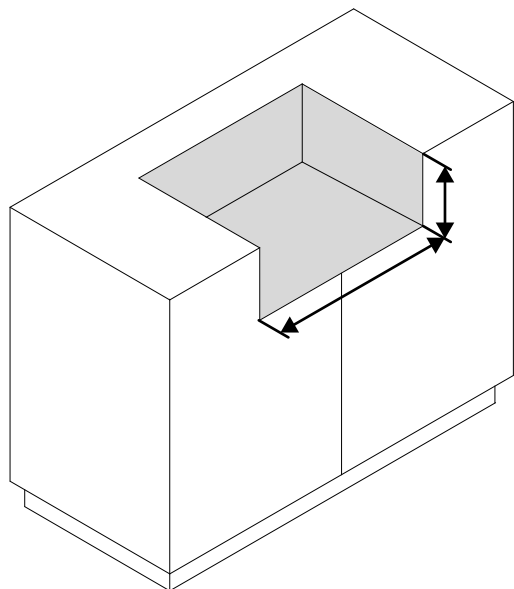


INSTALLATION GUIDE - UNDERMOUNT SINK

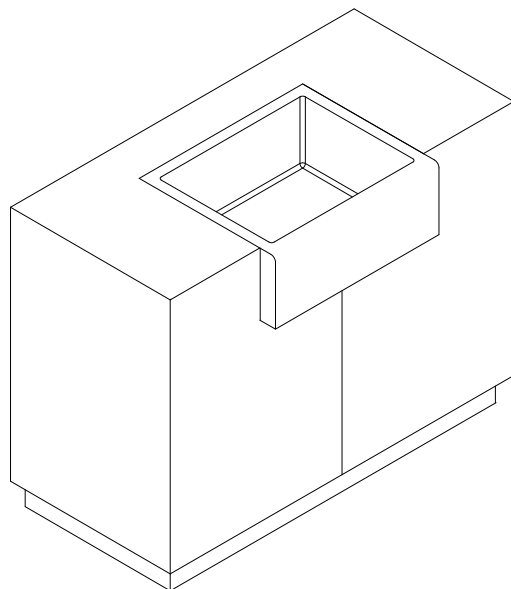
Note: This product must be installed by a **licensed tradesperson**.
This is a general installation guide - there are many factors that are involved that can alter the installation method.

- 1 Note: this basin can only be installed into new cabinetry & benchtops by a **licensed tradesperson**.

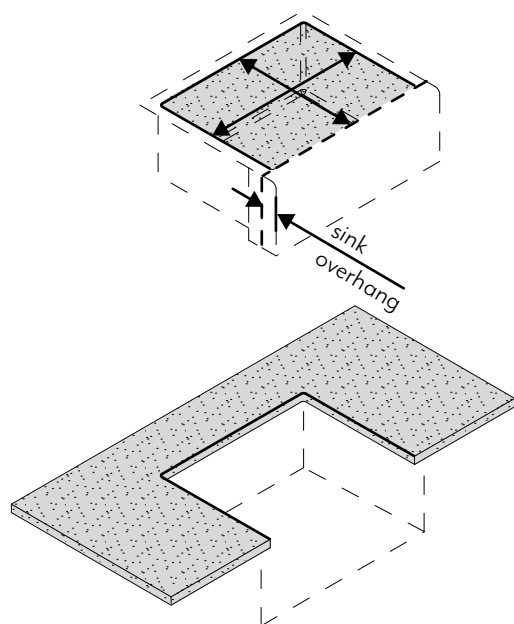
Cabinet maker to refer to cabinet sink shelf set out provided.
Allow for the cabinetry to be designed so the sink front is sitting proud of cabinetry.



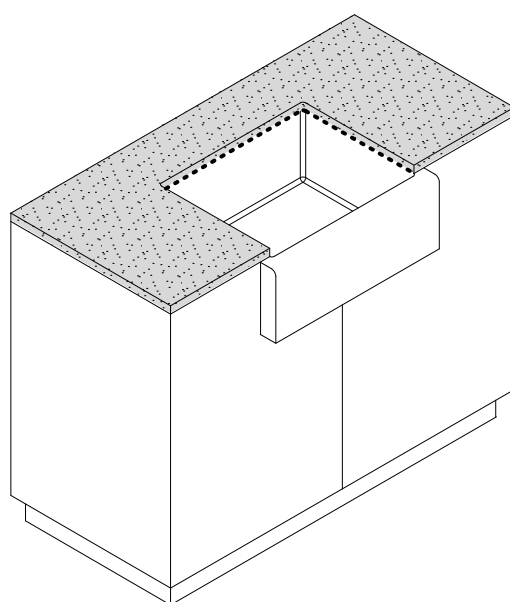
- 2 Mount the sink into the cabinet shelf ensuring the sink is level with the cabinet top.



- 3 Cut the benchtop using the cut template dimensions provided in conjunction with the sink overhang and cabinetry shelf dimensions.



- 4 Install the benchtop & apply adhesive to sink perimeter. Wipe away any excess adhesive sealant.

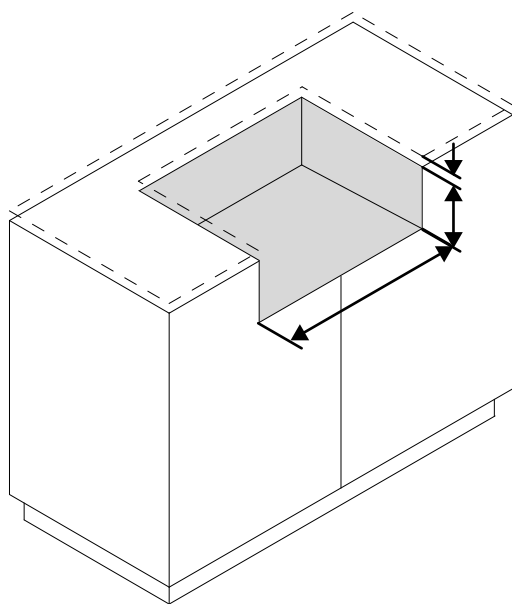


INSTALLATION GUIDE - FLUSHMOUNT SINK

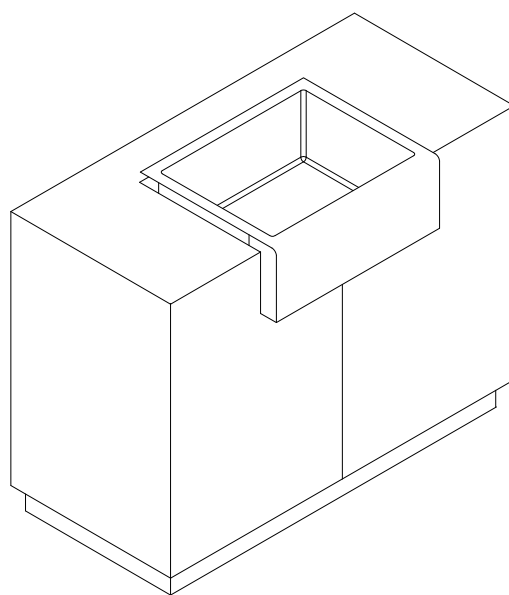
Note: This product must be installed by a **licensed tradesperson**.
This is a general installation guide - there are many factors that are involved that can alter the installation method.

- 1 Note: this basin can only be installed into new cabinetry & benchtops by a **licensed tradesperson**.

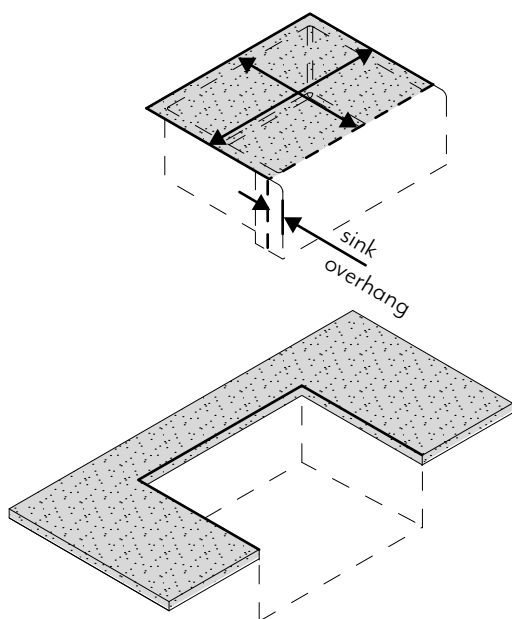
Cabinet maker to refer to cabinet sink shelf set out provided.
Allow for the cabinetry to be designed so the sink front is sitting proud of cabinetry.



- 2 Mount the sink into the cabinet shelf.



- 3 Cut the benchtop using the cut template dimensions provided in conjunction with the sink overhang and cabinetry shelf dimensions.



- 4 Install the benchtop & apply adhesive to sink perimeter. Wipe away any excess adhesive sealant.

