

Note: Mixer body (in wall) not included in handle kit

Note: Dimensions are nominal measurements only

SPECIFICATIONS

RECOMMENDED USE

Domestic

CONSTRUCTION

Solid Brass

WARRANTY

Structure: 25 years | Finish: 5 years

Disclaimer: Products in this specification manual must by regulation be installed by licensed and registered trade people. The manufacturer/distributor reserves the right to vary specifications or delete models from their range without prior notification. Dimensions are nominal measurements only. Dimensions and set-outs listed are correct at time of publication however the manufacturer/distributor takes no responsibility for printing errors. All ABI Products are designed in Australia. Copyright ABI Interiors Pty Ltd 2021.

INSTALLATION GUIDE

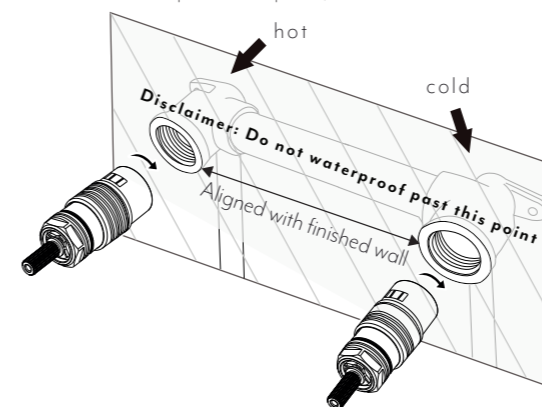
Note: This product must be installed by a licensed plumber. This is a general installation guide - there are many factors that are involved that can alter the installation method.

Note: In wall not included in handle kit.

- 1** **New Build**
Install breach in desired position.

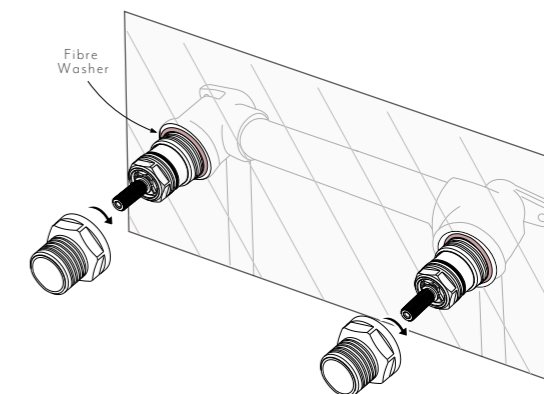
Retrofitting Existing
Remove existing tapware & reseal existing body seats until shiny & smooth.

Screw spindle into breach and hand tighten until rear of spindle meets the body seat, **be sure not to overtighten**. If necessary apply more pressure lightly with spanner. (Note: Locking nut must be removed prior to installing this part of the spindle)

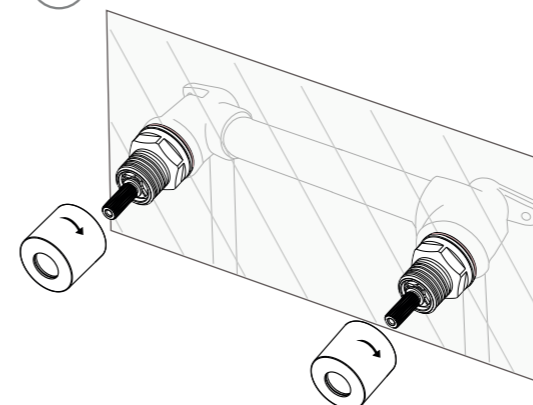


- 2** Fit the fibre washer over the spindle.
Screw on the locking nut and tighten with spanner.

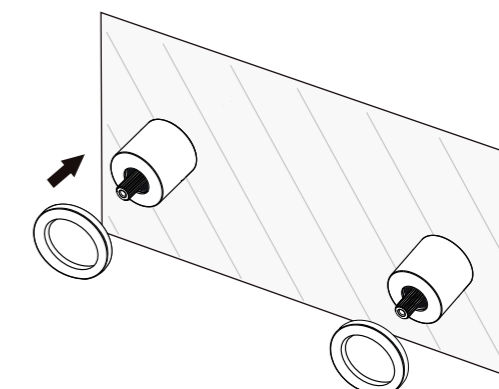
TEST AND CHECK FOR LEAKS



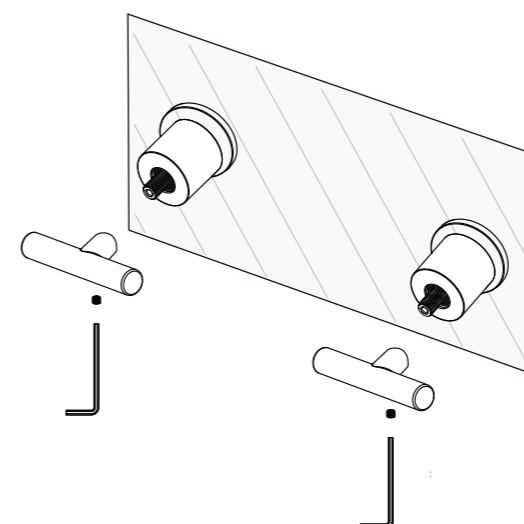
- 3** Install the sleeve onto the locking nut, twisting until tightened.



- 4** Slide the dress plate over the sleeve and press against wall.



- 5** Install handle by using the allen key provided and tighten grub screw.



IN THE BOX

- 2x dress plates
- 2x sleeves
- 2x Handles