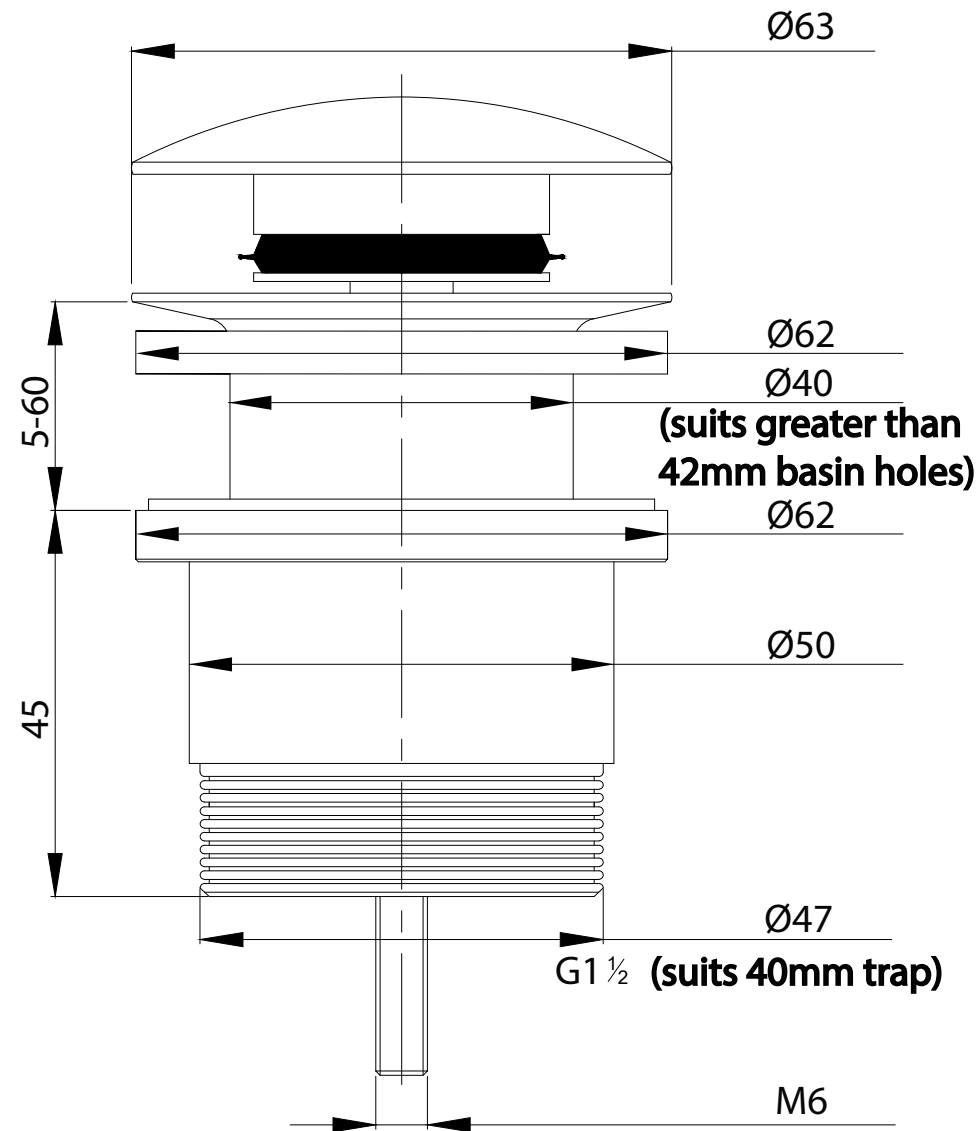


AVI POP UP WASTE



Note: Dimensions are nominal measurements only

SPECIFICATIONS

RECOMMENDED USE

Domestic

INSTALLATION

Suits 40mm Trap

OVERFLOW

No

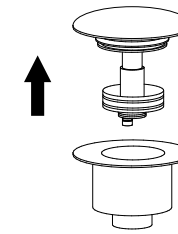
WARRANTY

Structure: 10 years | Finish: 5 years

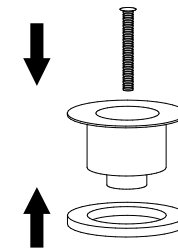
INSTALLATION GUIDE

Note: This product must be installed by a licensed trade. This is a general installation guide - there are many factors that are involved that can alter the installation method.

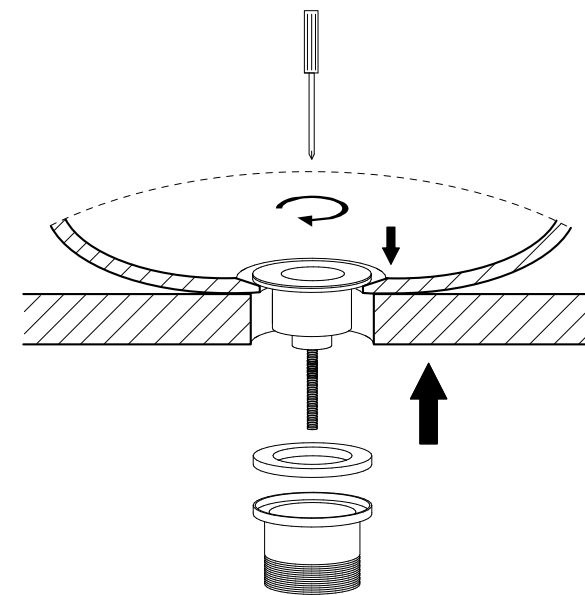
- 1 Remove plug & grate by holding top base & pulling plug upwards.



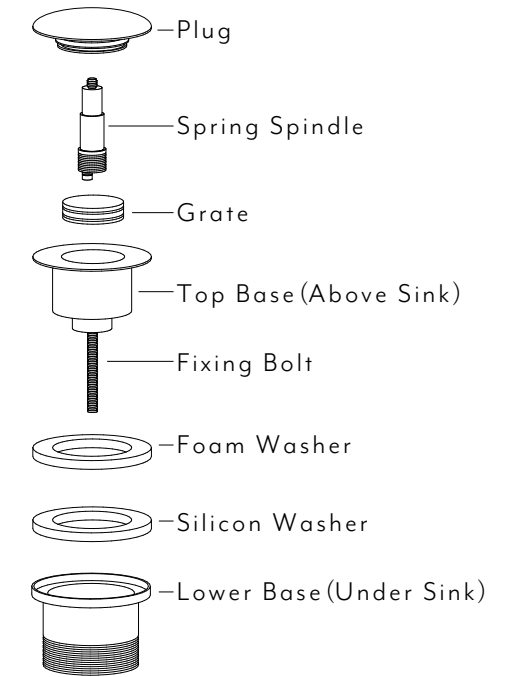
- 2 Fit foam washer to top base and drop fixing bolt into base.



- 3 Place the lower base with silicon washer underneath the basin & tighten fixing bolt with phillips head screw driver.



Disassembled pop-up waste components



- 4 Re-fit plug & grate into top base. Connect pipe work & test plug mechanism by pressing plug down with running water.

