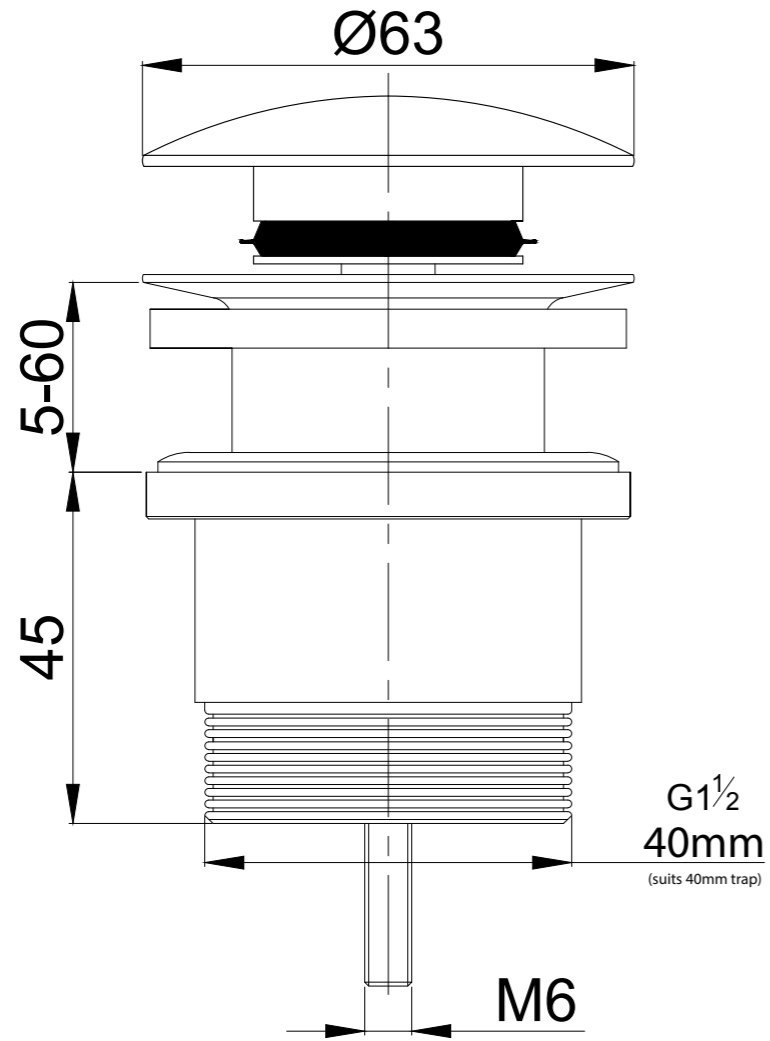


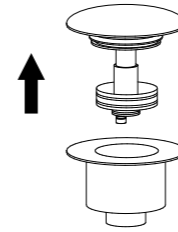
AVI POP UP WASTE



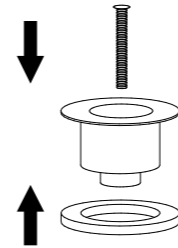
INSTALLATION GUIDE

Note: This product must be installed by a licensed trade. This is a general installation guide - there are many factors that are involved that can alter the installation method.

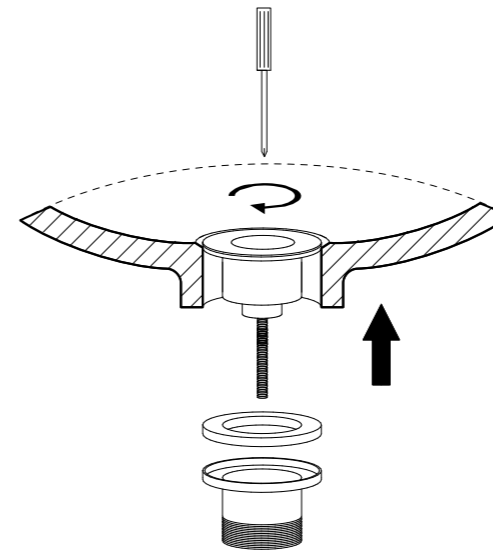
- 1 Remove plug & grate by holding top bass & pulling plug upwards.



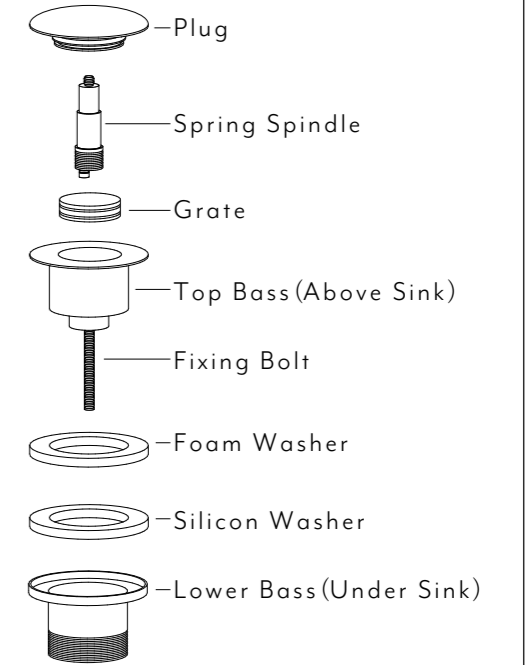
- 2 Fit foam washer to top bass and drop fixing bolt into bass.



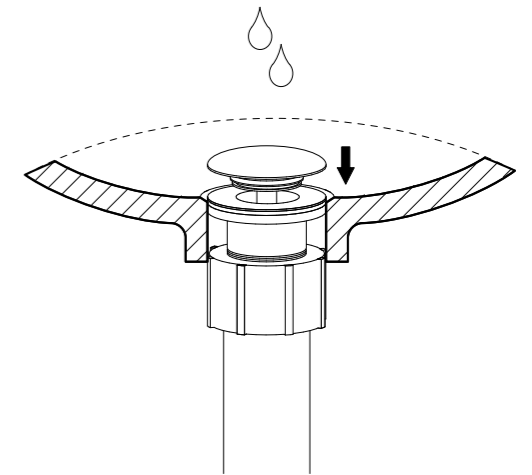
- 3 Place the lower bass with silicon washer underneath the basin & tighten fixing bolt with phillips head screw driver.



Disassembled pop-up waste components



- 4 Re-fit plug & grate into top bass. Connect pipe work & test plug mechanism by pressing plug down with running water.



SPECIFICATIONS

RECOMMENDED USE

Domestic

INSTALLATION

Suits 40mm Trap

OVERFLOW

No

WARRANTY

Structure: 10 years | Finish: 5 years