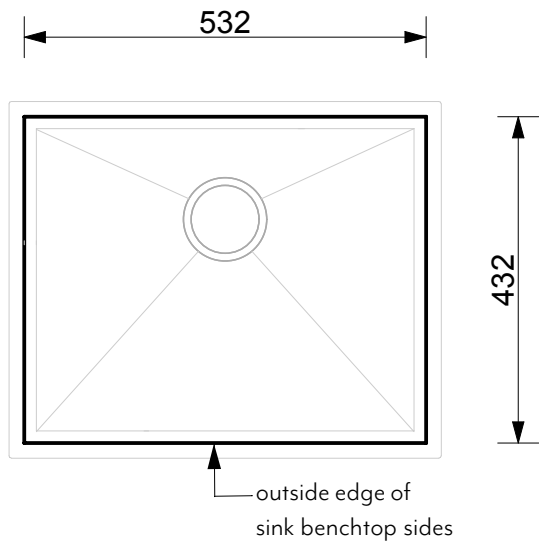


SPECIFICATIONS

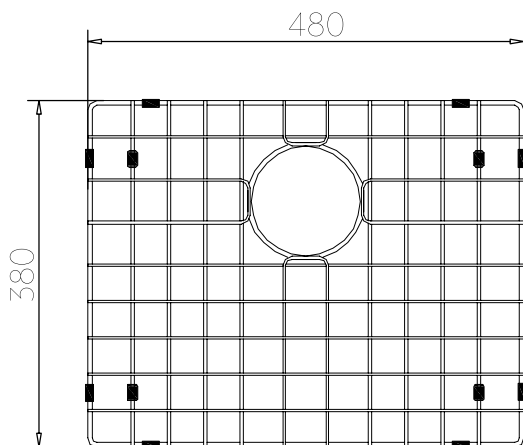
RECOMMENDED USE	Domestic, Commercial
COLOUR AVAILABILITY	
MATERIAL	Stainless Steel
CONSTRUCTION	Soundproofing Layer & 10mm Radius Corners
INSTALLATION	Undermount, Top Mount
OVERFLOW	No
WARRANTY	Structure: 25 years Finish: 5 years
LITRE	35L

Disclaimer: Products in this specification manual must by regulation be installed by licensed and registered trade people. The manufacturer/distributor reserves the right to vary specifications or delete models from their range without prior notification. Dimensions are nominal measurements only. Dimensions and set-outs listed are correct at time of publication however the manufacturer/distributor takes no responsibility for printing errors. All ABI Products are designed in Australia. Copyright ABI Interiors 2019. WWW.ABIINTERIORS.COM.AU

SINK BENCHTOP SIDES - BUILD TEMPLATE



RACK DIMENSIONS



BASKET WASTE

