

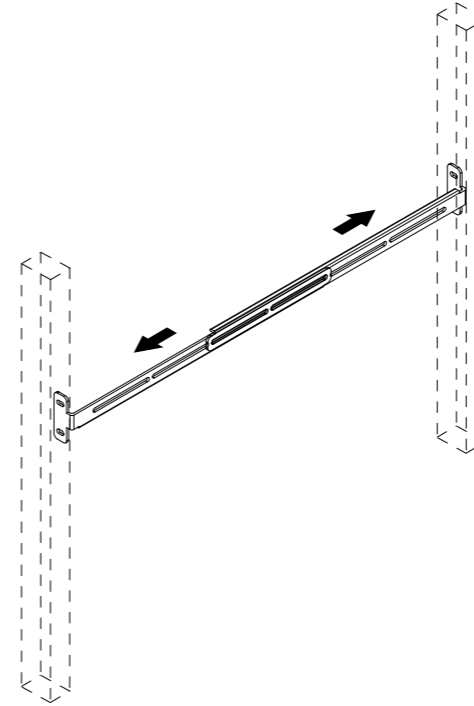
## SPECIFICATIONS

RECOMMENDED USE	Domestic
INSTALLATION	In-Wall
MATERIAL	HDPE Plastic
WATERMARK	WMKA20080
WELS	L02631 – 4-Star, Half Flush: 3 Litres, Full Flush: 4.5 Litres, Nominal Average Flush: 3.3 Litres
WARRANTY	Structure: 5 years   Spare Parts: 2 Years

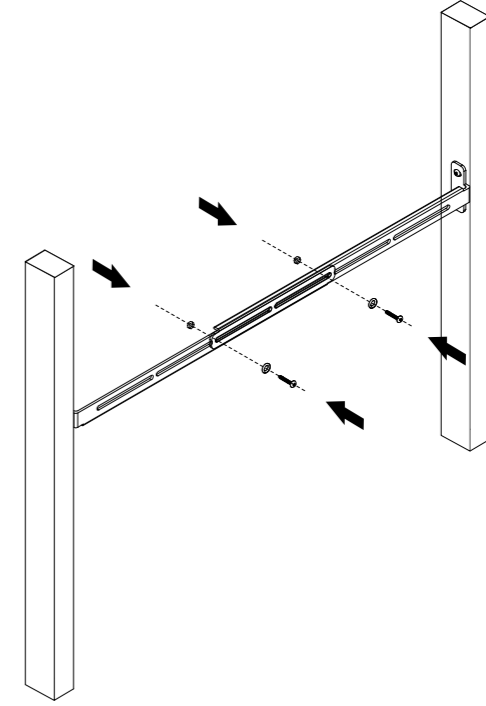
## STUD FIXING BRACKET INSTALLATION

Note: This product must be installed by a licensed tradesperson. This is a general installation guide - there are many factors that are involved that can alter the installation method.

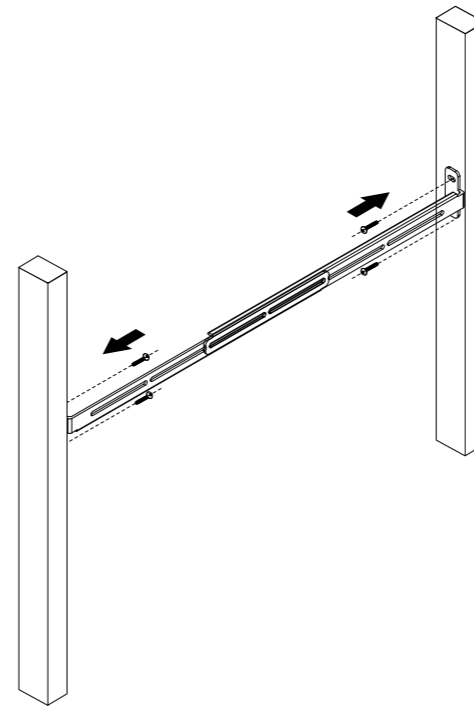
1 Ascertain distance between studs by shifting bracket into position.



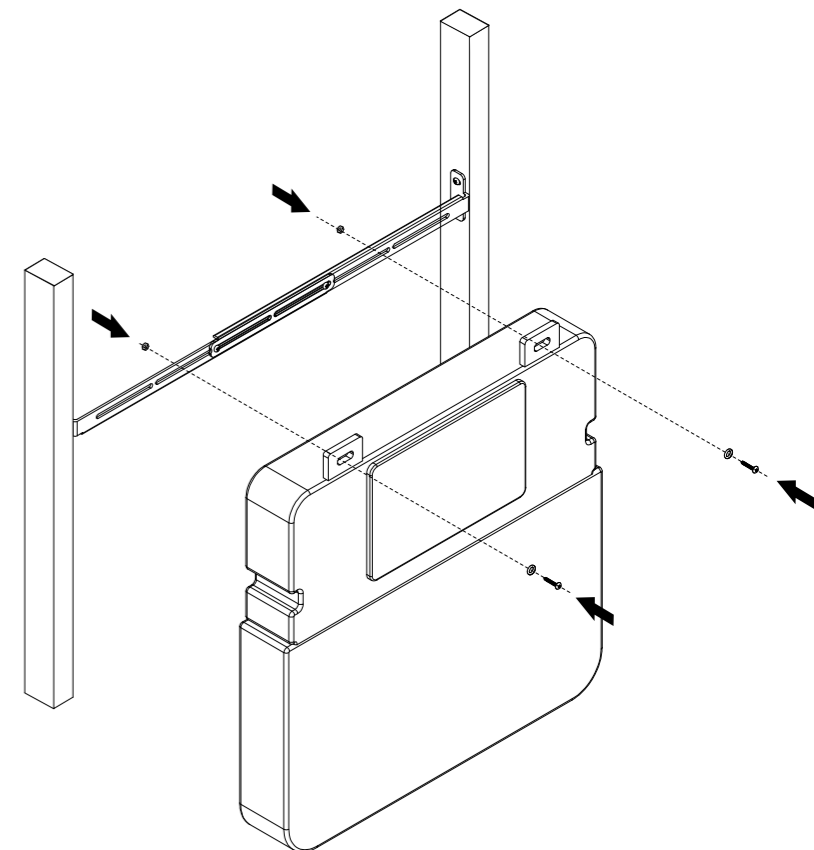
2 Secure bracket length position using nuts, bolts and washers provided.



3 Fix bracket into stud using timber screws (not provided).



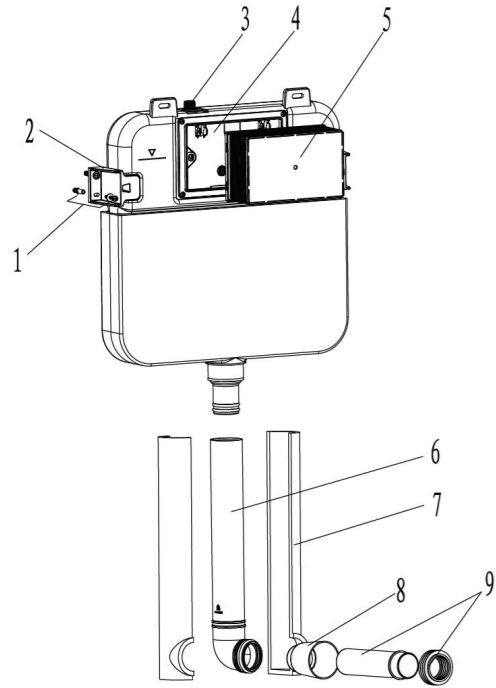
4 Mount cistern to fixing bracket using nuts, bolts and washers provided.



Fixings Provided		4x Bolts
		4x Washers
		4x Nuts

# INSTALLATION GUIDE

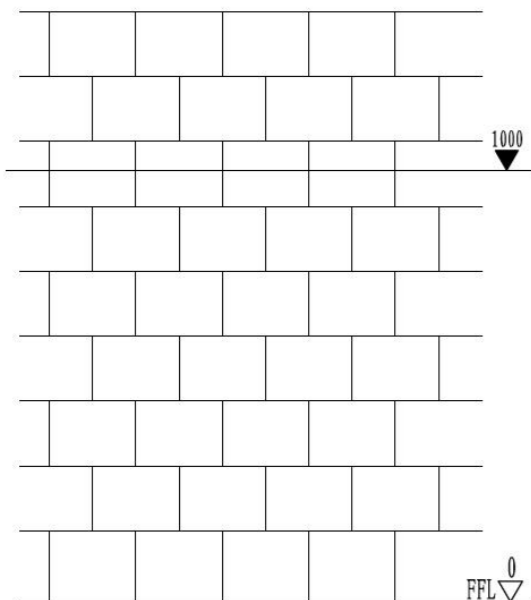
1. Please adhere to the following installation instructions.  
We shall not be responsible for failures and loss that are contributed to improper installation.
2. Please confirm the fixation location of cistern prior to installation and obtain the finished floor surface. Draw FFL on installation wall and follow it as baseline from ZERO (0) level.
3. The instructions have been composed based on the latest product specifications. We reserve the right to make modifications to the packaging and specifications without providing prior notification



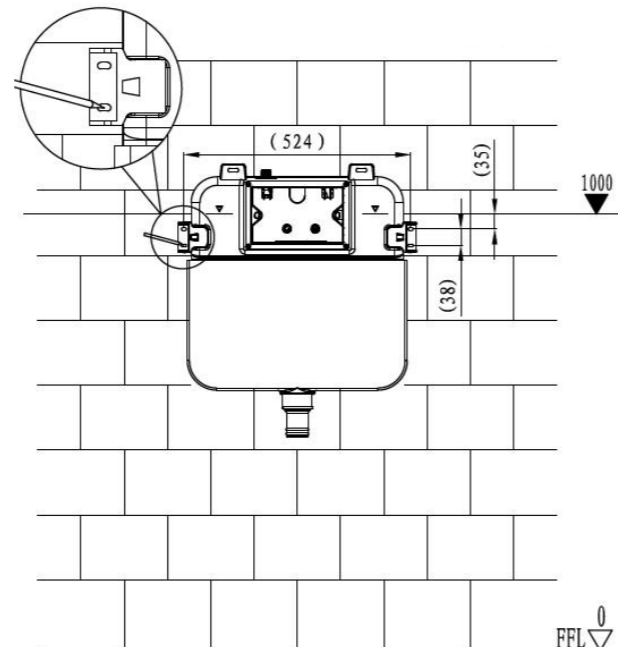
## PARTS LIST

No.	Description	Qty	Function
1	Expansion Screw	1	Fixation of concealed cistern
2	Cistern Fixing Clip	2	
3	Angle Valve	1	Fill valve inlet and shut-off
4	Cistern Cover	1	Airproof tank and mounting of locking bracket
5	Plastic Holder	1	To reserve space for installation of actuator at wall building To prevent dust and impurities into tank at wall building
6	Flush Pipe	1	Water inlet to ceramic bowl
7	Tube Cover	2	To protect flush pipe
8	Piping Cover	1	To reserve space for straight tube and flush pipe
9	Straight Tube	1	To join cistern into ceramic bowl (cutting in accordance with wall thickness)

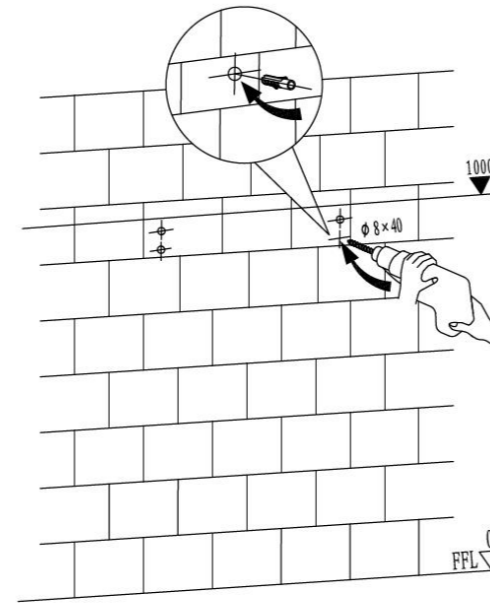
- 1 Determine the position of Im line and the position of drilling holes



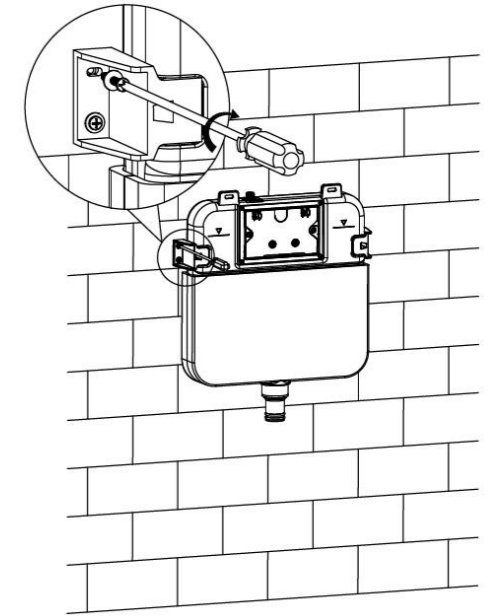
Note: Follow the practical location of iron bracket to drill properly



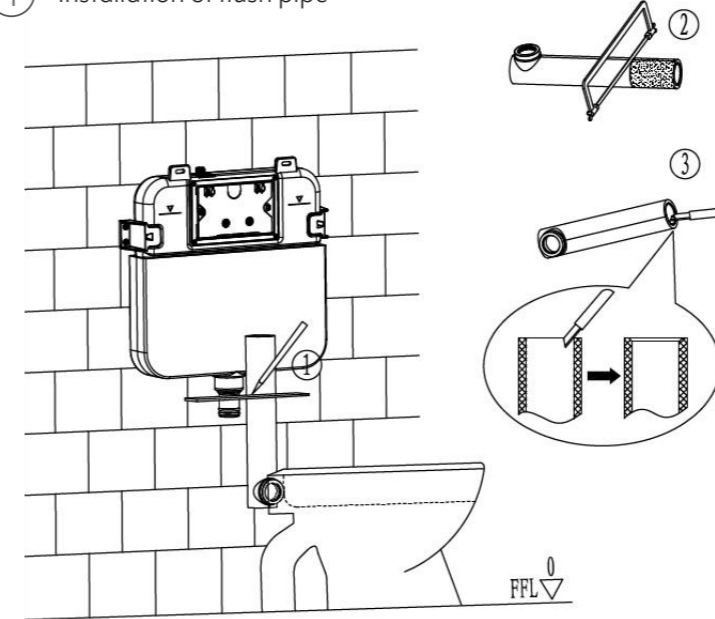
- 2 Drilling and installation of expansion screw



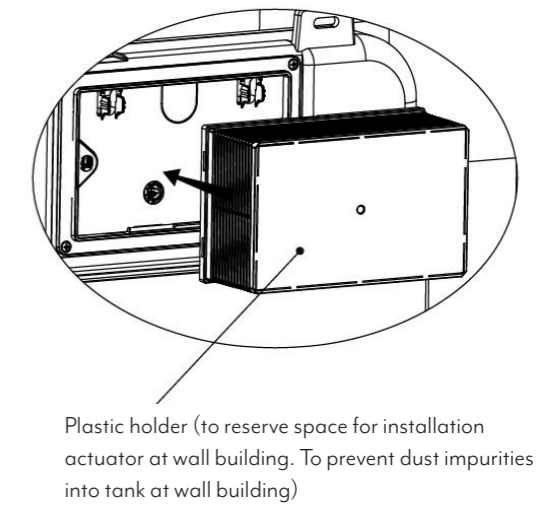
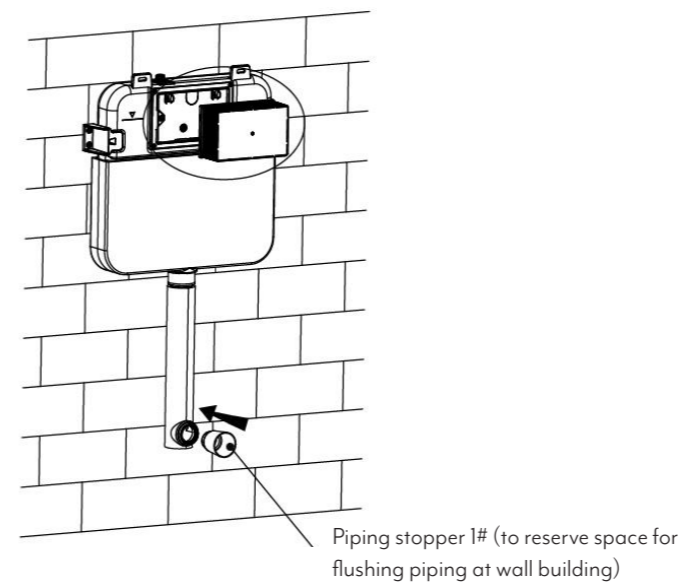
- 3 Installation of concealed cistern



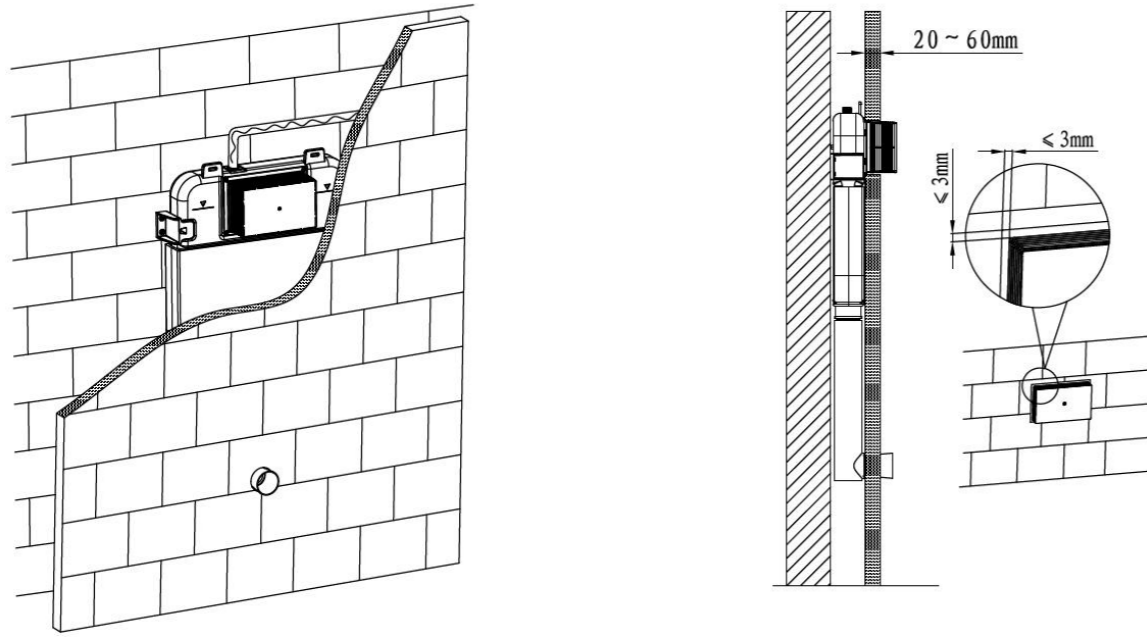
- 4 Installation of flush pipe



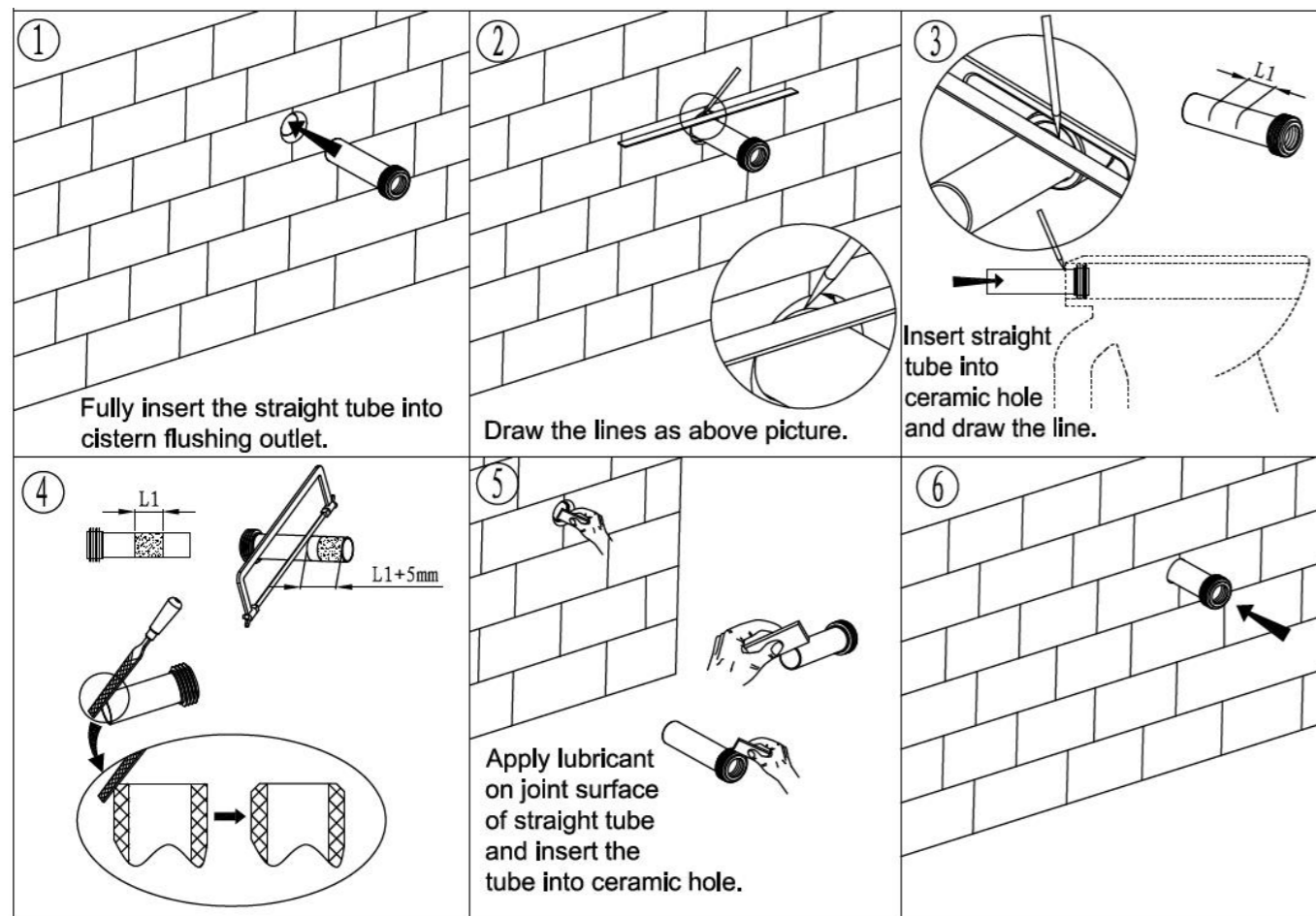
- 5 Mounting of installation accessories



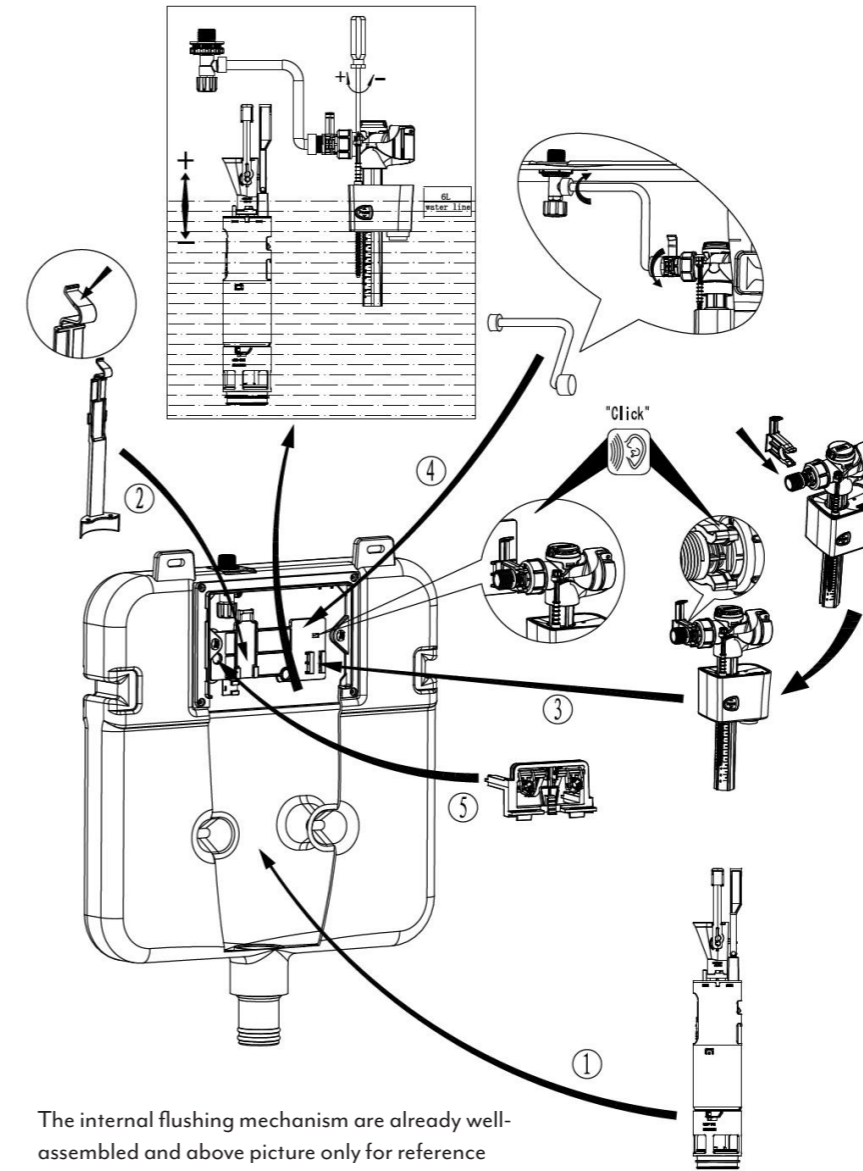
- ⑥ Wall thickness range 20-60mm (from outer exterior of cistern foam cover to finished decorated surface)



- ⑦ Mounting of ceramic bowl



- ⑧ Internal flushing mechanism assembly drawing



ABI